

QUICK Ø 30





QUICK Ø 30 has been conceived to join two worktops or panels together.

It consists of two parts:

- main body with tightening dowel M8x50 or M8x150
- round cap to suit the dowel head.

The installation is fast and simple as the two parts don't fall when placed in position.

The fastening becomes easier by using an S6mm allen wrench, or even better, a cordless driver-drill.

It is suitable for worktops and panels minimum 25mm thick.

The tightening is 6mm.

Engineering plastic, steel and zinc alloy.

In accordance with the regulation UNI 9429/89.

Tested in accordance with CATAS procedures.



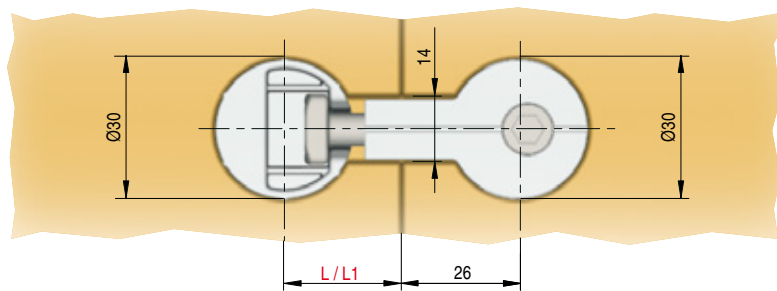
## DRILLING PLAN

Part. no	
2161101000	worktop connector Ø 30 M8x50
2161102000	worktop connector Ø 30 M8x150
2161001000	round cap for worktop connector



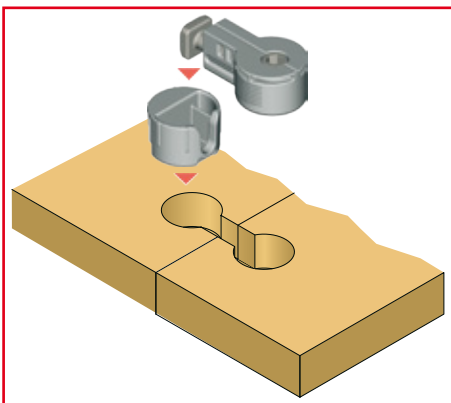
Part. no	L
2161101000	26

Part. no	L1
2161102000	124

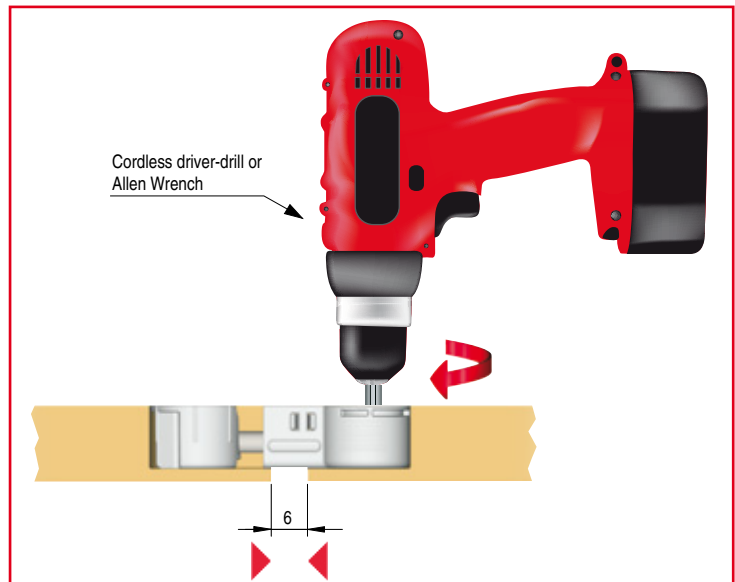


## APPLICATION

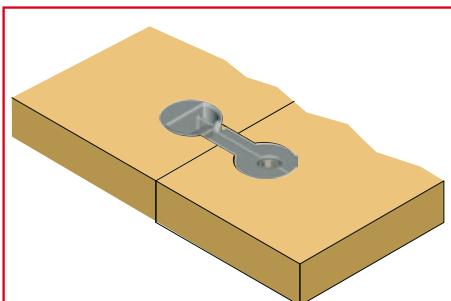
**1** INSERT THE QUICK INTO THE HOUSING.

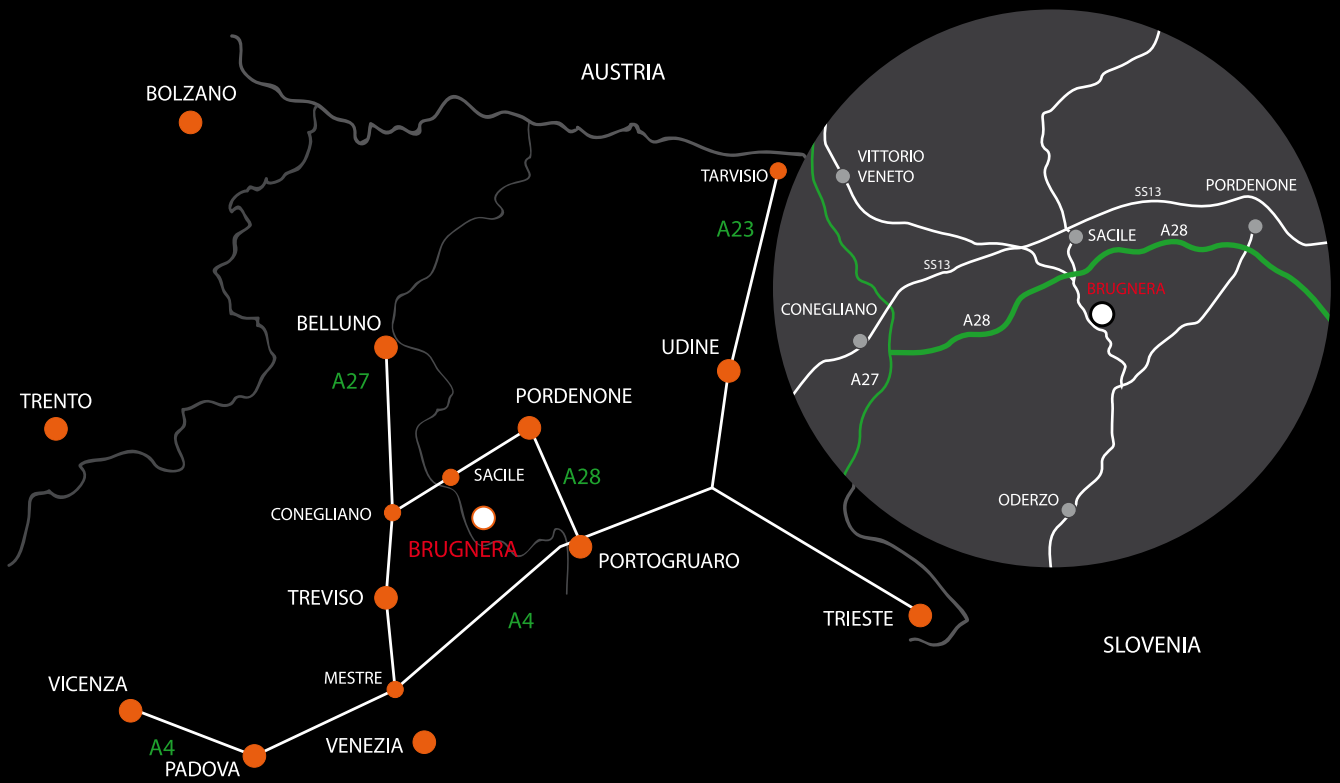


**2** FASTEN THE QUICK BY USING A S6mm ALLEN WRENCH OR CORDLESS DRIVER-DRILL WITH S6mm HEXAGONAL BIT.



**3** CONNECTION FOR WORKTOPS AND PANELS TOGETHER.





**ITALIANA FERRAMENTA**

Via Taglio n° 87 I - 33070 Maron di Brugnera (PN) Tel. +39 0434 428211 Fax +39 0434 428242 [www.italianaferramenta.com](http://www.italianaferramenta.com) [info@italianaferramenta.it](mailto:info@italianaferramenta.it)