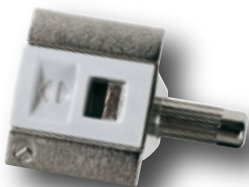
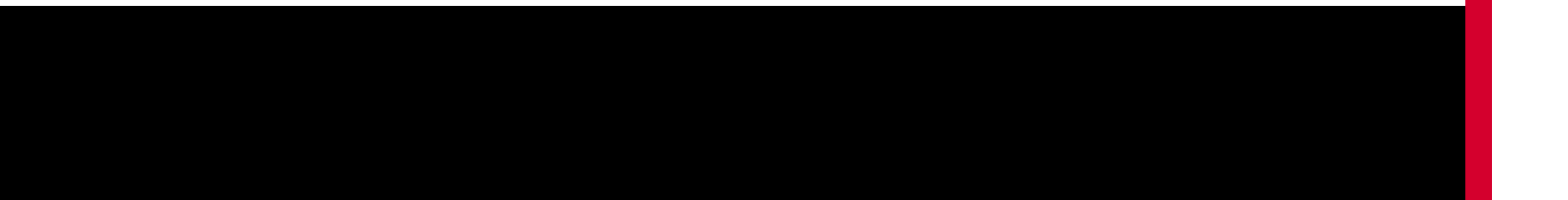


UNICO





UNICO is the new concept in wood shelf supports, to be slotted into the panel by making face borings. Useful for both flat pack and rigid furniture it is conceived for transport too as the shelf is secured in position.

It consists of a zinc alloy shelf support with a ridged wing on both sides combined with a sliding engineering plastic clip.

When the sliding clip moves forwards, its wedge shape inside the shelf support applies a pressure against the two zinc alloy ridged wings. Quicker installation of the shelf; just place in the required position the shelf supports with the wings already spread and then push downwards the shelf. The ridged wings grip into the chipboard and lock the shelf in position.

Easy repositioning of the shelf; just move backwards the sliding clips through the fingernail or screwdriver blade sockets, the wings retreat. Push upwards the shelf to release.

For shelf minimum 15mm thick.

Unico Ø 5 and euro screw versions are in accordance with the regulation: UNI EN 14749/05.

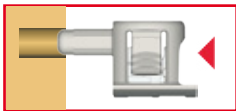
PAT. PENDING



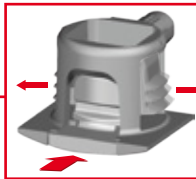
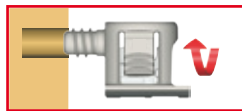
ASSEMBLING

1

ASSEMBLING WITH SMOOTH PIN



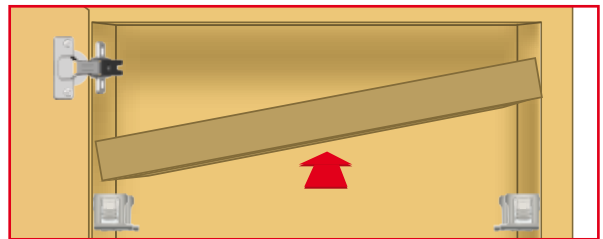
ASSEMBLING WITH THREADED PIN TO ACHIEVE HORIZONTAL CONNECTION



UNICO IS SUPPLIED WITH THE SLIDING CLIP ALREADY IN THE FORWARD POSITION READY FOR INSTALLATION

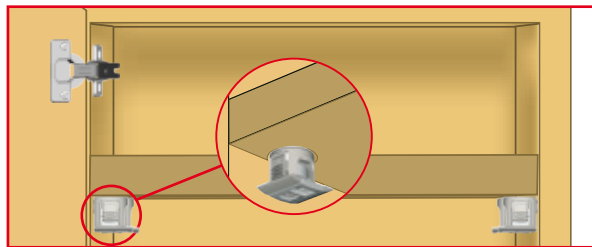
2

INSERT THE SHELF DIAGONALLY INTO THE CABINET (ALSO WITH DOORS ALREADY ASSEMBLED)



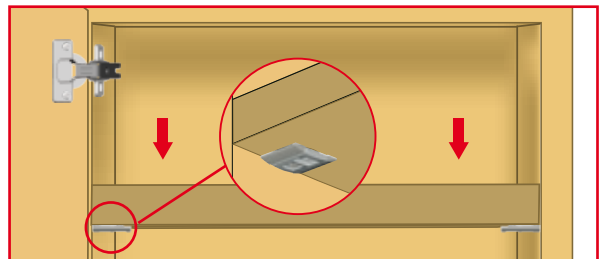
3

PLACE THE SHELF OVER THE UNICO



4

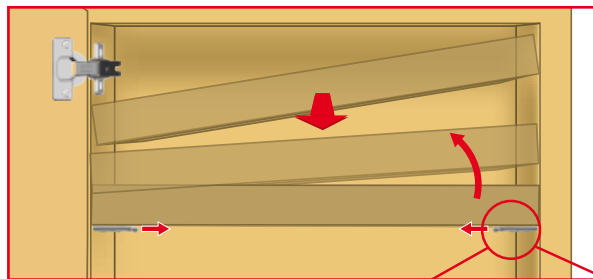
PRESS THE SHELF DOWN



SHELF REMOVAL AND REPOSITIONING

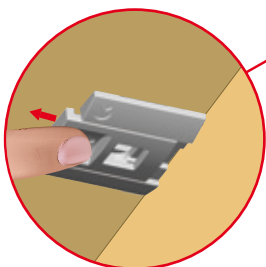
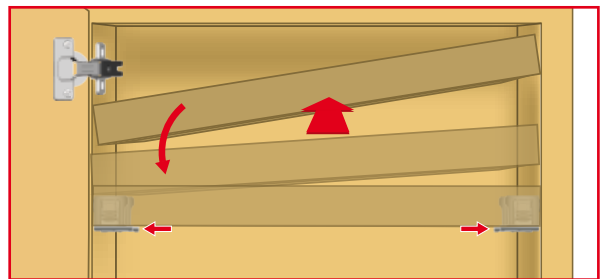
SHELF REMOVAL

INSERT THE SCREWDRIVER BLADE OR THE FINGERNAIL INTO THE SLIDING CLIP SOCKET PLACED UNDERNEATH THE SHELF AND PULL IT BACKWARDS. THE WINGS RETREAT AND PUSH UPWARDS THE SHELF TO RELEASE.

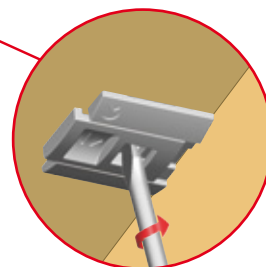
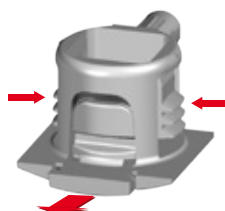


SHELF REPOSITIONING

PUSH FORWARDS THE SLIDING CLIP SO THAT ITS WEDGE SHAPE INSIDE THE SHELF SUPPORTS APPLIES A PRESSURE AGAINST THE TWO ZINC ALLOY RIDGED WINGS. TO REPOSITION THE SHELF REPEAT OPERATIONS AS SHOWN IN PCS. 2-3-4.



SHELF RELEASE THROUGH FINGERNAIL SOCKET

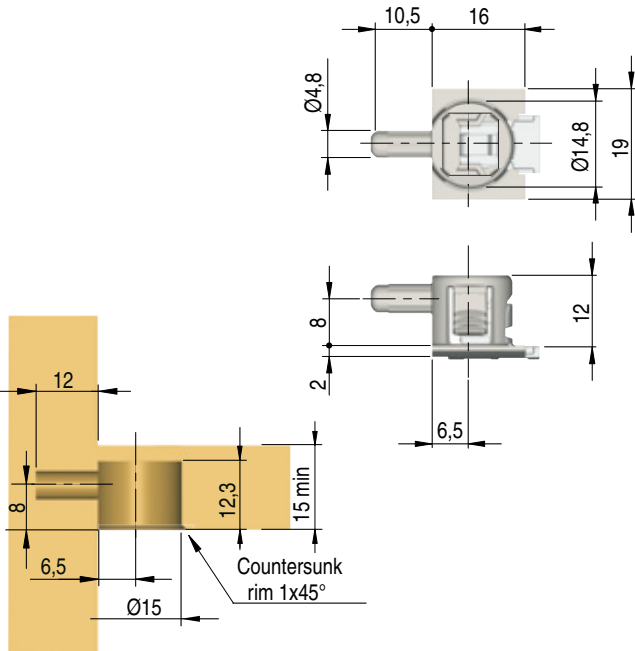


SHELF RELEASE THROUGH SCREWDRIVER BLADE SOCKET

UNICO WITH Ø5mm PIN

Part. no	Finish
10701010YA	Nickel-plated

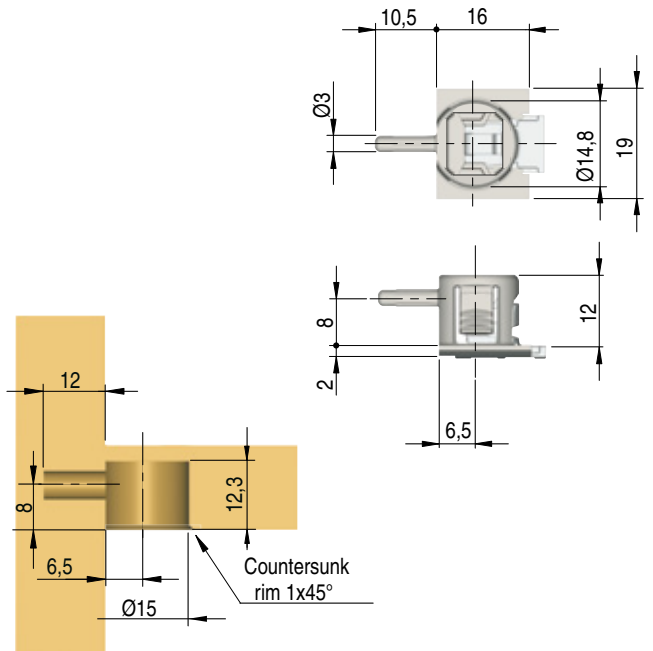
Zinc alloy
Engineering plastic



UNICO WITH Ø3mm PIN

Part. no	Finish
10703010YA	Nickel-plated

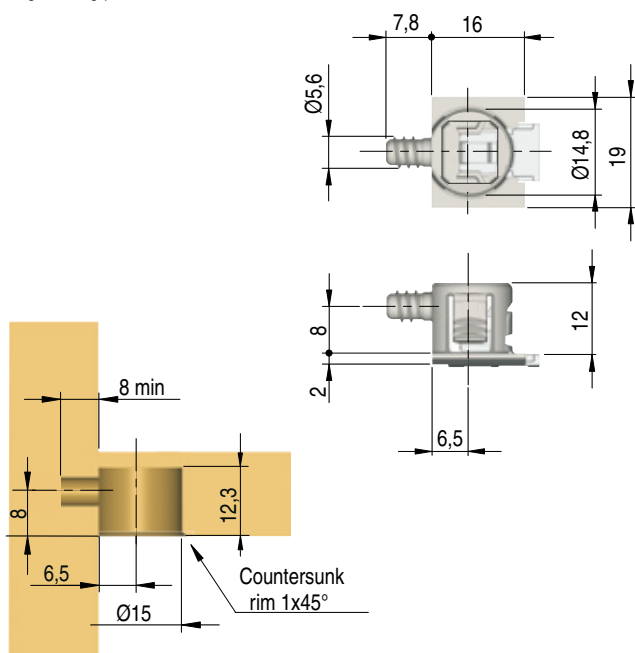
Zinc alloy
Engineering plastic



UNICO WITH Ø5mm THREADED PIN

Part. no	Finish
10702010YA	Nickel-plated

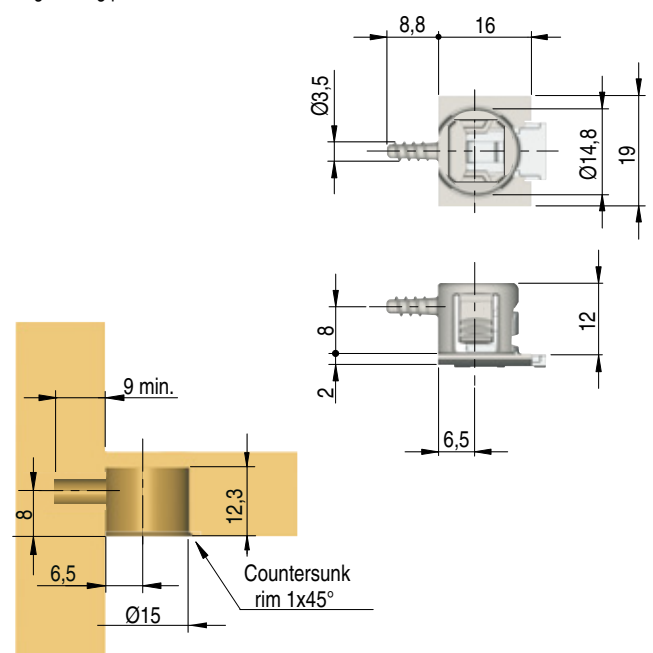
Zinc alloy
Engineering plastic



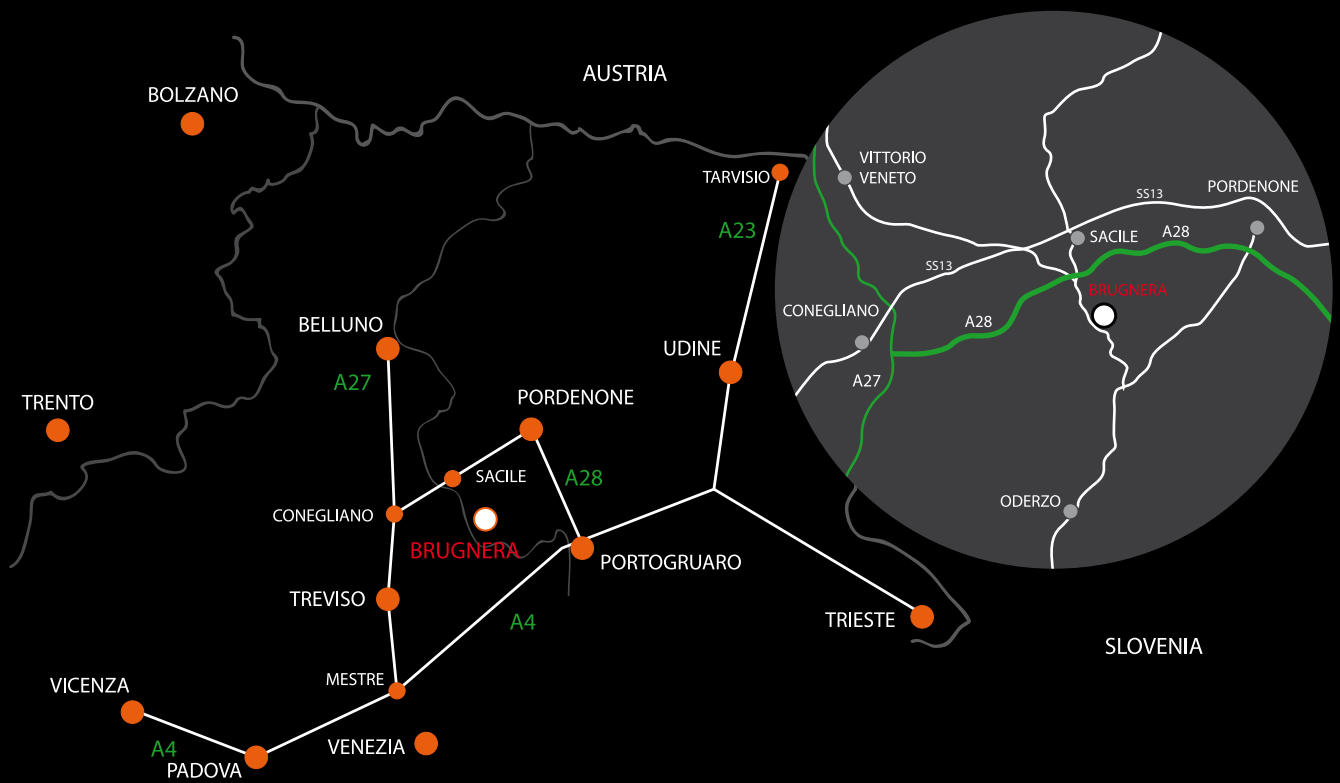
UNICO WITH Ø3mm THREADED PIN

Part. no	Finish
10704010YA	Nickel-plated

Zinc alloy
Engineering plastic







ITALIANA FERRAMENTA

Via Taglio n° 87 I - 33070 Maron di Brugnera (PN) Tel. +39 0434 428211 Fax +39 0434 428242 www.italianaferramenta.com info@italianaferramenta.it