



FORMENTI & GIOVENZANA

SPT: 50102

I.M.:

Dis.: POZZOLI
Drawer.:

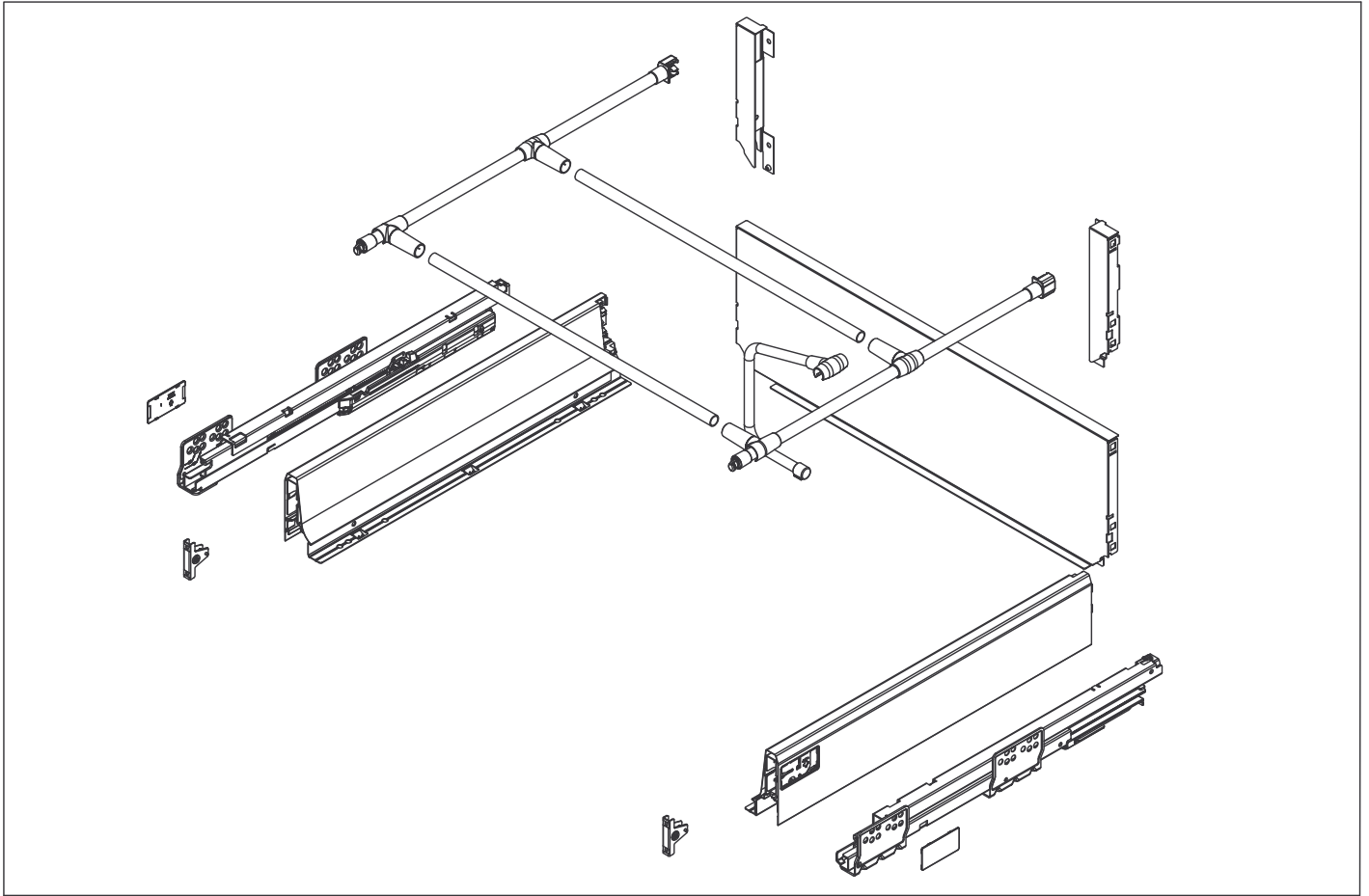
Data: 08/06/10
Date:

Visto: *Caradanti*
Check.:

Data: 08.06.10
Date:

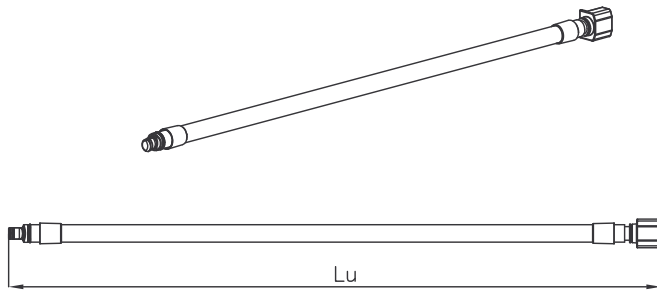
Denominazione: TUBI E FLAP DIVISORI PER CASSETTO TEN
Part Name: RAILINGS SEPARATION TUBES AND FLAP

Pag: 1/2

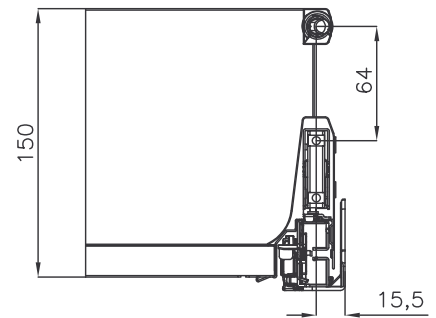
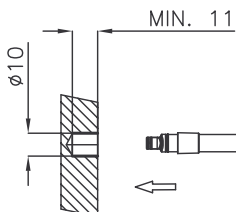


TUBI ATTACCO RAPIDO
EASY-FIX RAILING

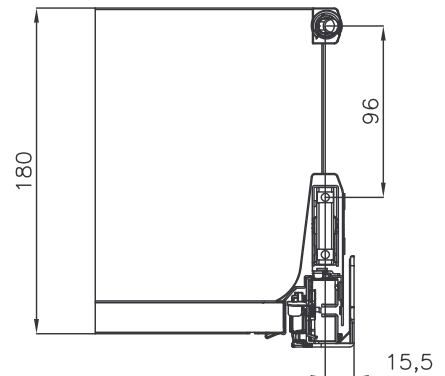
INTERASSE 64 mm
FIXING DISTANCE 64 mm



CASSETTO/DRAWER	Lu
250	256mm
270	281mm
350	356mm
400	406mm
450	456mm
500	506mm
550	556mm



INTERASSE 96 mm
FIXING DISTANCE 96 mm





FORMENTI & GIOVENZANA

SPT: 50102

I.M.:

Dis.: POZZOLI
Drawer.:

Data: 08.06.10
Date:

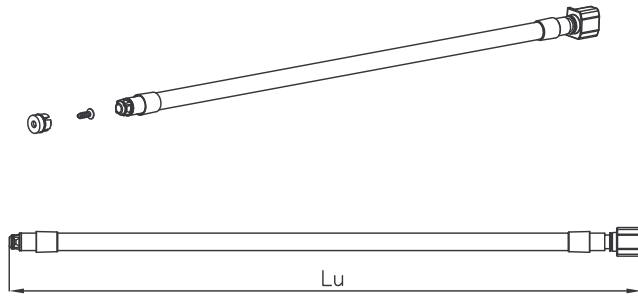
Visto: *Luca...*
Check.:

Data: 08.06.10
Date:

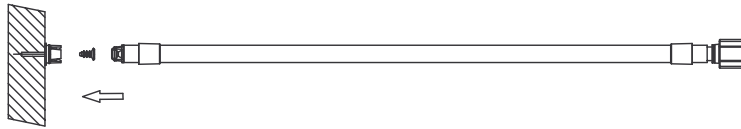
Denominazione: TUBI E FLAP DIVISORI PER CASSETTO TEN
Part Name: RAILINGS SEPARATION TUBES AND FLAP

Pag: 2/2

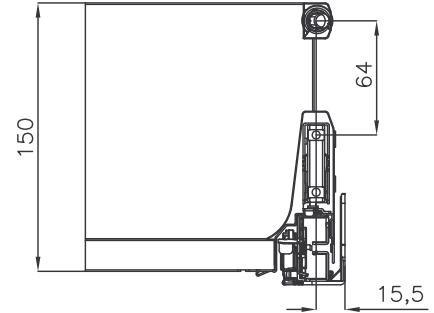
TUBI ATTACCO VITE SCREW ON RAILING



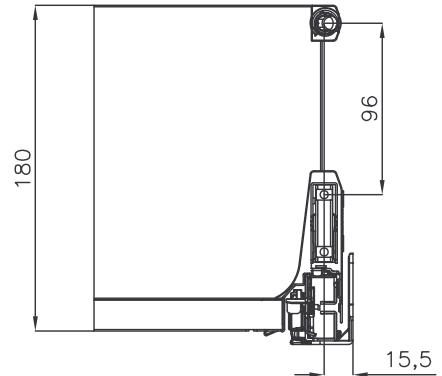
CASSETTO/DRAWER	Lu
250	242mm
270	267mm
350	342mm
400	392mm
450	442mm
500	492mm
550	542mm



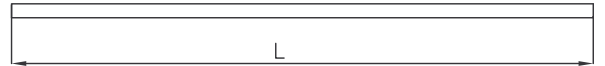
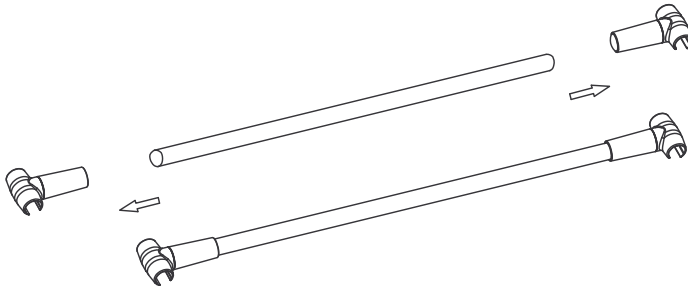
INTERASSE 64 mm
FIXING DISTANCE 64 mm



INTERASSE 96 mm
FIXING DISTANCE 96 mm

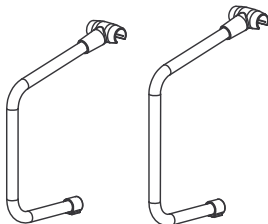


TUBI TRASVERSALI TRANSVERSAL RAILING

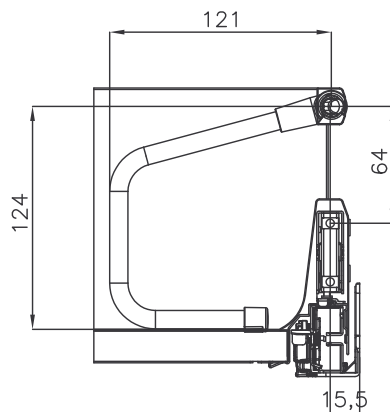


1200	15/16/18/19mm	1108
1000	15/16/18/19mm	908
900	15/16/18/19mm	808
800	15/16/18/19mm	708
700	15/16/18/19mm	608
600	15/16/18/19mm	508
500	15/16/18/19mm	408
450	15/16/18/19mm	358
400	15/16/18/19mm	308
350	15/16/18/19mm	258
300	15/16/18/19mm	208
BASE	SPALLA	"L"

FLAP DIVISORI IN METALLO STEEL FLAP



INTERASSE 64 mm
FIXING DISTANCE 64 mm



INTERASSE 96 mm
FIXING DISTANCE 96 mm

