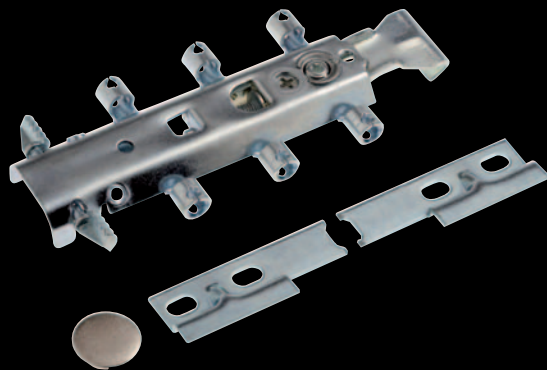


WALL HANGING BRACKET

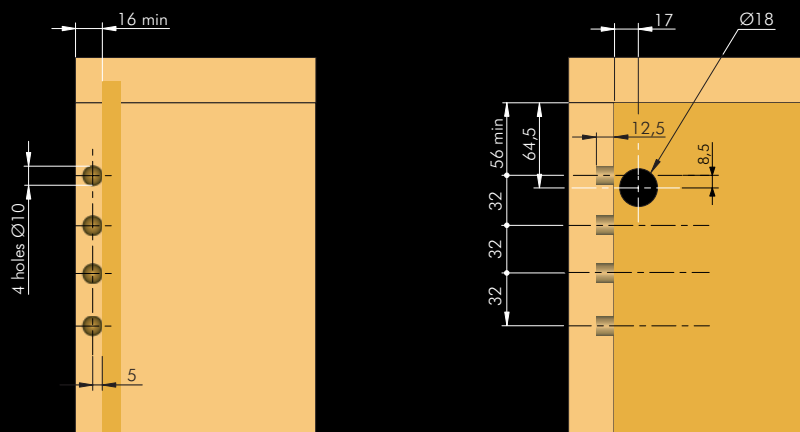
SPIDER

SPIDER is an unhandled 3+1 cabinet hanger concealed behind rear panel, with only cover caps visible inside the cabinet. It is slotted into the side cabinet by making 4 face borings and secured in position by rotating 180° the locking pin with ridges. A lateral wood screw secures permanently the cabinet hanger in place. This cabinet hanger has a user-friendly adjustment through front gear cross socket interconnected to the vertical bolt, which reduces the cabinet adjustment effort. Cover cap Ø18mm provided. Capacity loading: 130 Kilos per pair
Steel and zinc alloy



Part.no	Description	Finish
63510010ZN	Spider cabinet hanger 3+1 rotary pin, unhandled	Zinc
63510020ZN	Wall fixing plate to snap in two part	Zinc
23016010YA	Cover cap Ø18mm	Nickel

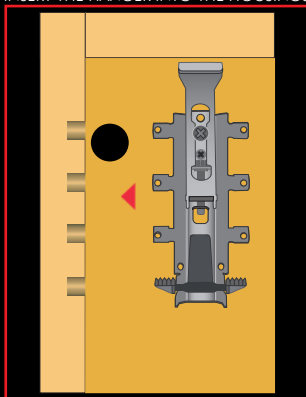
DRILLING PLAN



APPLICATION

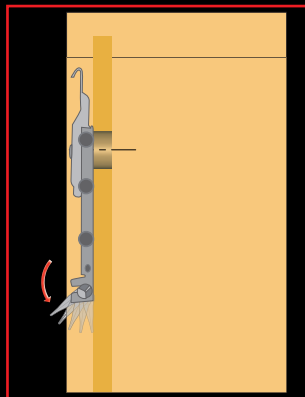
1

INSERT THE HANGER INTO THE HOUSINGS



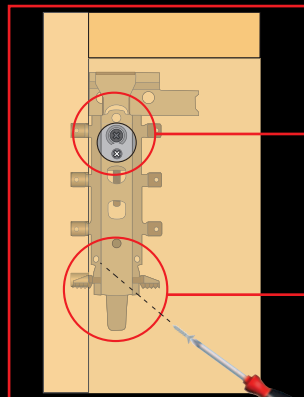
2

TURN 180° DOWNWARDS THE LOCKING PIN WITH RIDGES



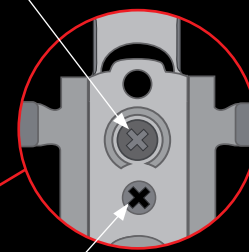
3

SECURE THE HANGER WITH THE RECOMMENDED WOOD SCREW AND ADJUST THE WALL CABINET ACCORDINGLY

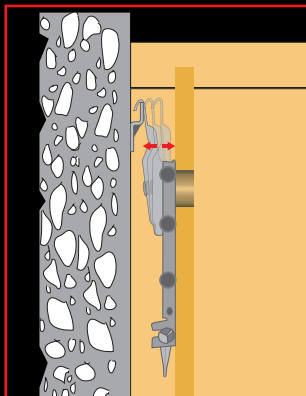


Horizontal adjustment

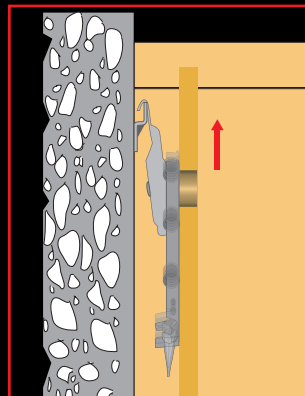
Vertical adjustment



HORIZONTAL ADJUSTMENT 11 ± 17mm

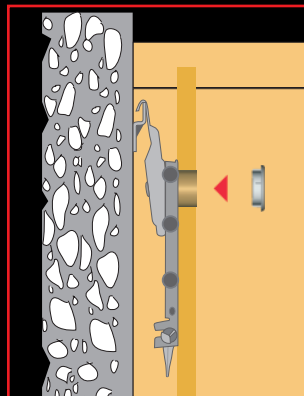


VERTICAL ADJUSTMENT 0 ± 18mm

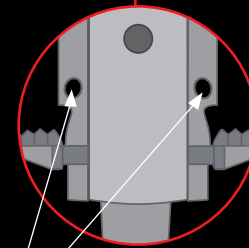


4

INSERT THE COVER CAP INTO THE ADJUSTMENT HOLE



Wood screw 3,5 x 20mm



KOALA

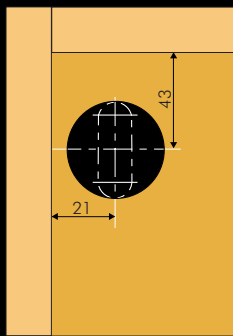
KOALA is an unhanded cabinet hanger concealed behind rear panel, with only cover caps visible inside the cabinet. It has to be fixed with 3,5x16mm wood screws without any pre-drilling. The adjustment could be carried out through a hole in rear panel, by using a cross screwdriver for both vertical and horizontal adjustments. It is possible to choose two kind of covercaps to conceal: 12x36,5mm hole or Ø35 hole. Capacity loading: 260 Kilos per pair. Steel, zinc alloy and engineering plastic.



Part.no	Description	Finish
63516010ZN	Koala cabinet hanger, unhanded, screw fixing	Zinc
63516020ZN	Wall fixing plate	Zinc
23011010IG	Cover cap Ø35mm	Silver
23011010AB	Cover cap Ø35mm	White
23017030YA	Oval cover cap	Nickel

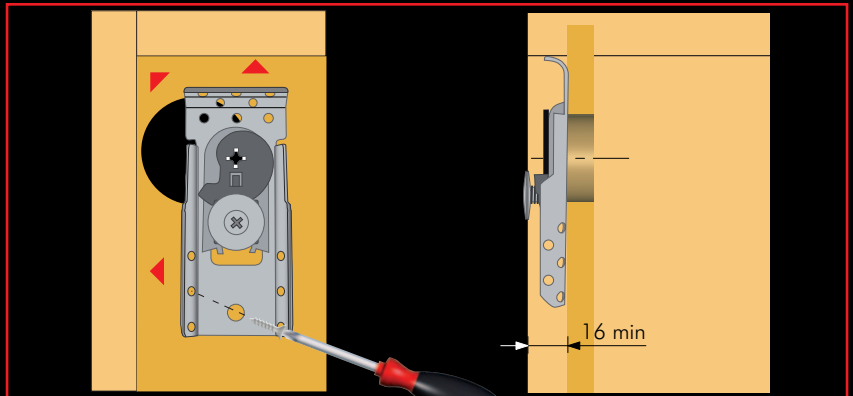
DRILLING PLAN

HOLE IN REAR PANEL:
 - Ø35mm FOR ROUND COVER CAP
 - 12X36,5mm FOR OVAL COVER CAP

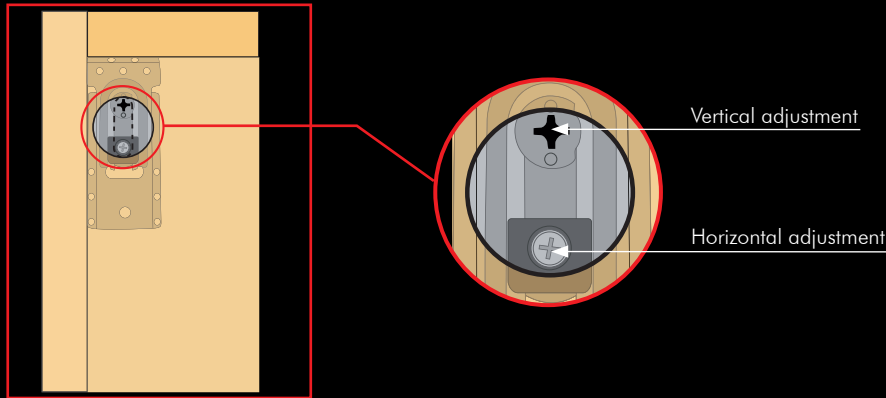


APPLICATION

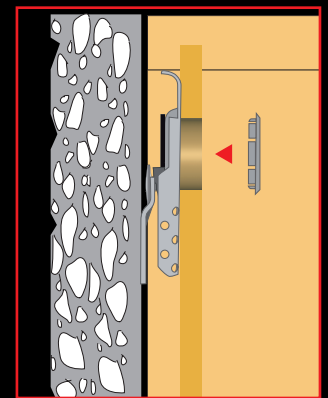
1 FIX THE CABINET HANGER IN POSITION BY USING WOOD SCREWS 3,5X16mm.



2 ADJUST THE CABINET VERTICALLY AND HORIZONTALLY ACCORDING TO THE APPLICATION.

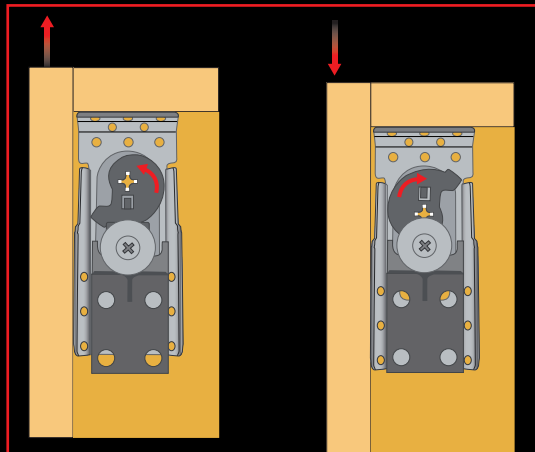


3 INSERT THE COVER CAP INTO THE ADJUSTMENT HOLE

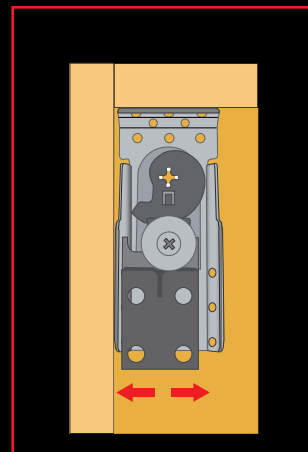


ADJUSTMENT DETAILS

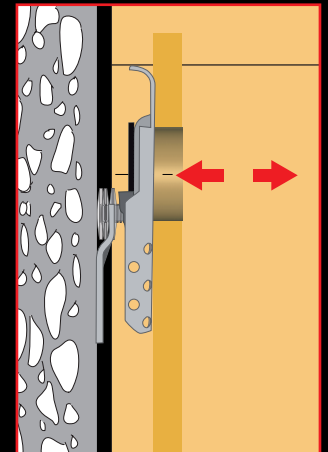
VERTICAL ADJUSTMENT 11mm



LATERAL ADJUSTMENT 12mm



HORIZONTAL ADJUSTMENT 10mm





ITALIANA FERRAMENTA

via Taglio n°87 I - 33070 Maron di Brugnera (PN) Tel. +39 0434 428211 Fax. +39 0434 428242 www.italianaferramenta.it info@italianaferramenta.it