

ELEFANT





ELEFANT is the new connecting fitting characterized by a very strong fastening capacity and a very simple assembling which makes it suitable for heavy duty wardrobes, bookcases, modular furniture, office furniture and DIY.

ELEFANT consists of a single element which can be inserted into the furniture either through automatic machinery or very easily by hand by the end user customer.

ELEFANT replaces the traditional connecting systems cams and dowels, cross dowels (minifix) which turn out to be less practical because of the quantity of pieces to be managed and the panel processing which they require. Also, the traditional connecting fittings turn out to be less efficient assembly-wise.

Thanks to **ELEFANT**, the connection is carried out through a worm gear, which can be operated from inside the furniture by a PZ2 screwdriver or by a cordless driver-drill.

The 12° inclined cross socket makes the cabinet construction easier.

The inner gear comes with an M6 threaded pin to be screwed onto a pre-inserted bush on the side of the furniture.

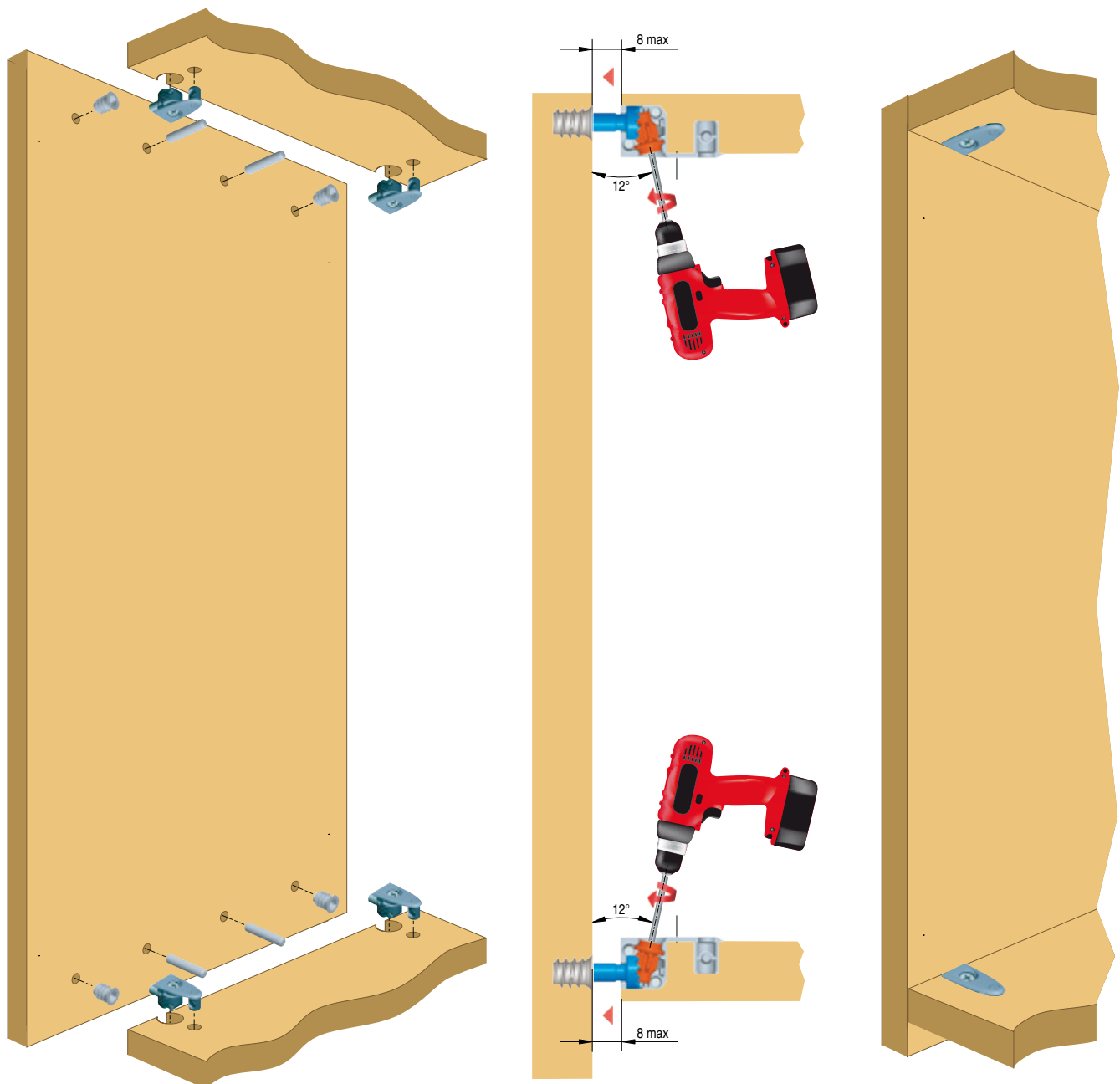
Available in 3 models for 19-25-30mm thick panels.

Materials: zinc alloy nickel plated for the outer part, steel for the gears.

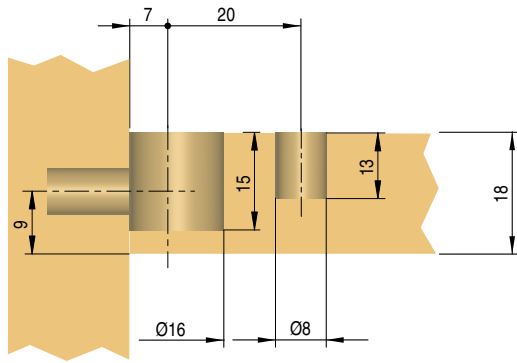
Tested in accordance with CATAS procedures



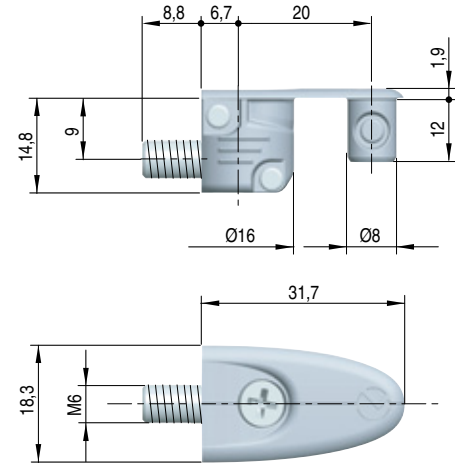
APPLICATION



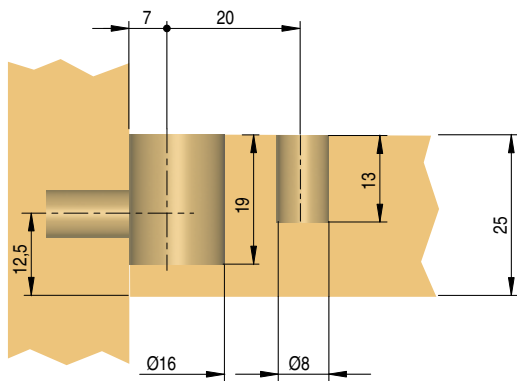
ELEFANT FOR 18mm THICK PANEL



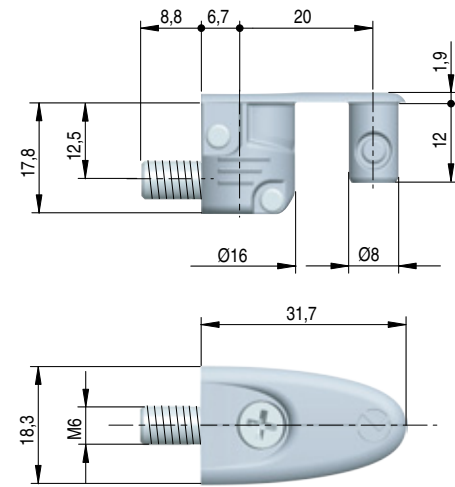
Part. no	Finish
11901010YA	Nickel-plated



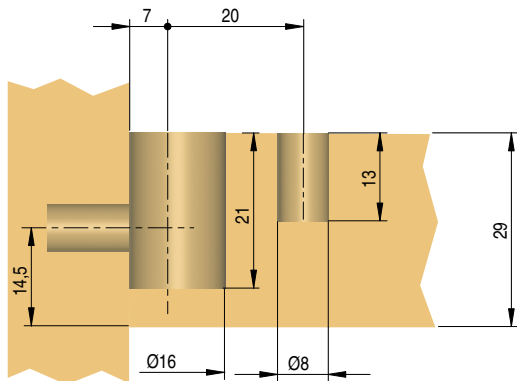
ELEFANT FOR 25mm THICK PANEL



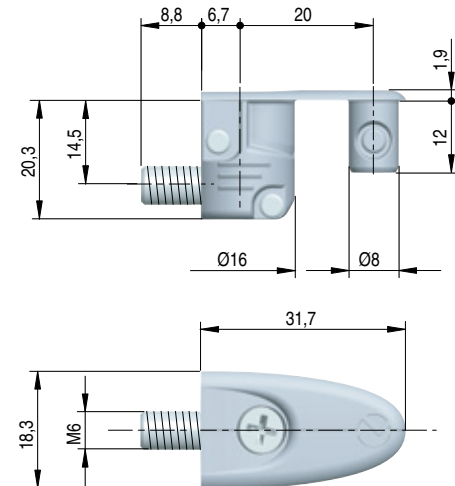
Part. no	Finish
11902010YA	Nickel-plated



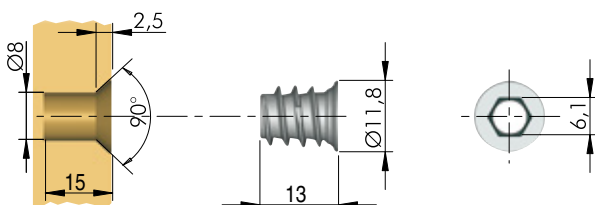
ELEFANT FOR 29mm THICK PANEL



Part. no	Finish
11903010YA	Nickel-plated

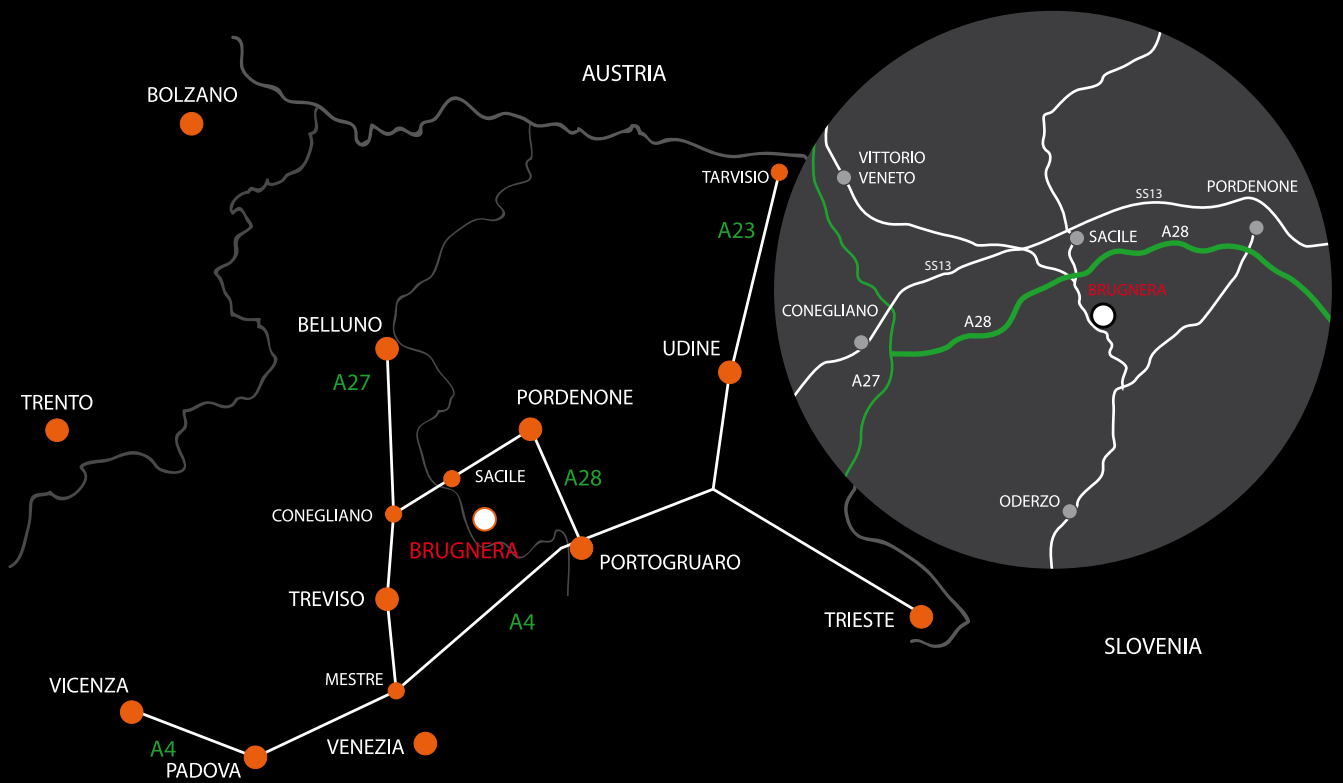


INSERT NUT



M6 with countersunk head
Zinc alloy

Part. no	Finish
20102020GR	Plain



ITALIANA FERRAMENTA

Via Taglio n° 87 I - 33070 Maron di Brugnera (PN) Tel. +39 0434 428211 Fax +39 0434 428242 www.italianaferramenta.com info@italianaferramenta.it