

PEKI





PEKI is the new technical shelf support with a captive design to lock glass shelves 4 to 10mm thick.

It consists of two elements:

- The main body with the locking screw pin.
 - The upper bracket with grooves which is pushed down into the main body until it perfectly fits the glass thickness.
- 90° clockwise turning of the screw pin and the glass is safely locked.

In accordance with the regulation UNI EN 14749/05.

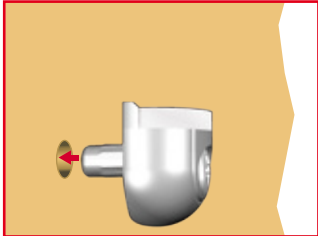
Zinc alloy
Engineering plastic



ASSEMBLING

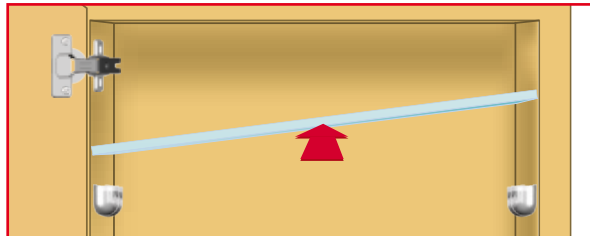
1

PEKI INSTALLATION INTO THE CABINET

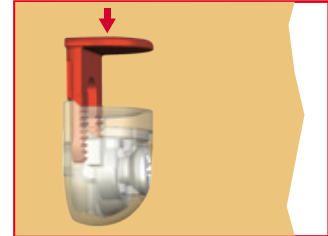


2

INSERT THE GLASS SHELF DIAGONALLY INTO THE CABINET (ALSO WITH DOOR ALREADY ASSEMBLED).



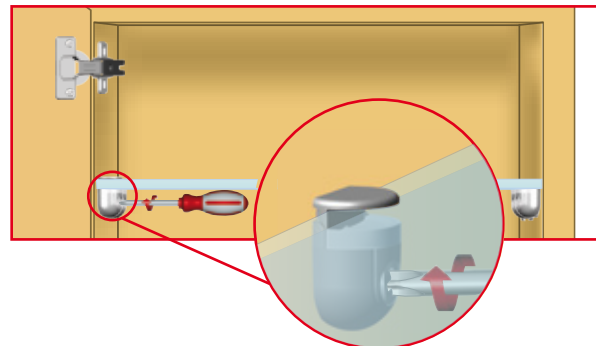
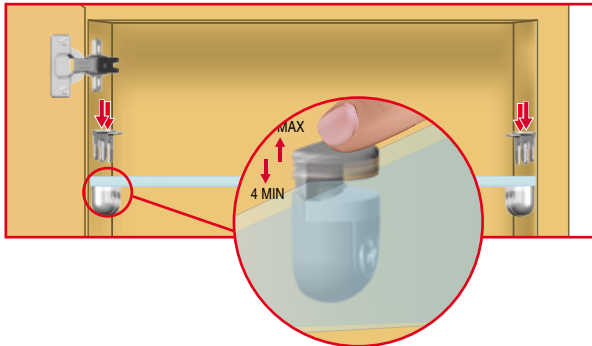
3



4

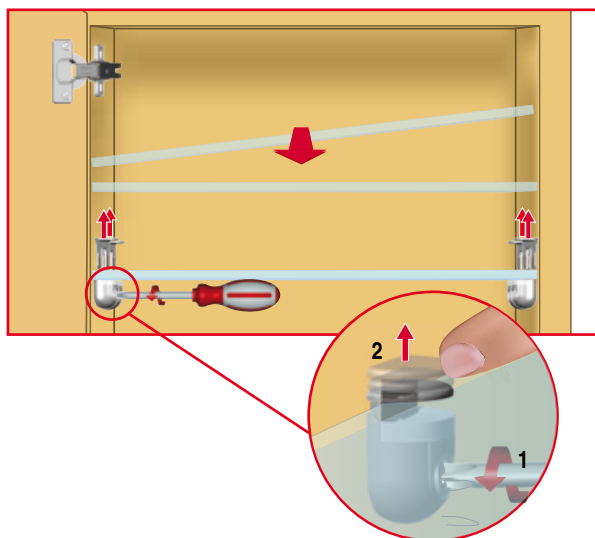
SECURE THE GLASS IN POSITION BY TURNING 90° DEGREES CLOCKWISE THE SCREW PIN.

PUSH DOWN THE UPPER BRACKET INTO THE MAIN BODY UNTIL IT PERFECTLY FITS THE GLASS THICKNESS

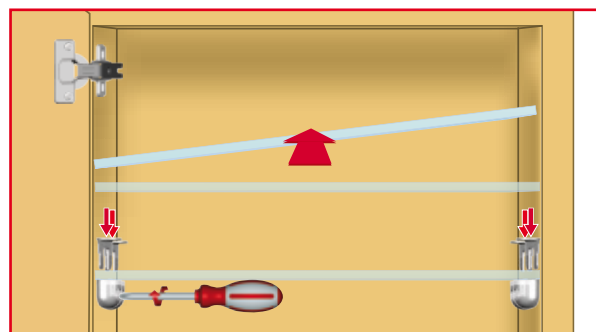


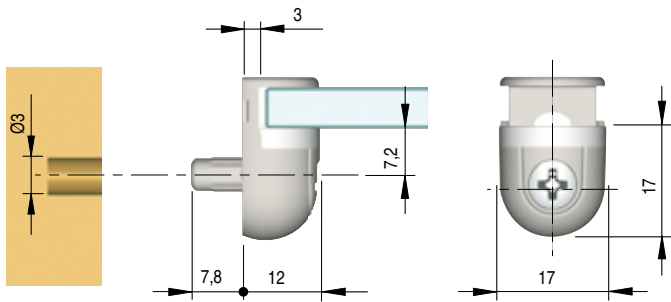
SHELF ASSEMBLING AND REPOSITIONING

SHELF REMOVAL
TURN THE SCREW PIN 90° DEGREES ANTICLOCKWISE AND EASE THE SHELF DIAGONALLY OUT



SHELF REPOSITIONING
TO REPOSITION THE SHELF REPEAT OPERATIONS AS SHOWN IN PGS. 2-3-4.

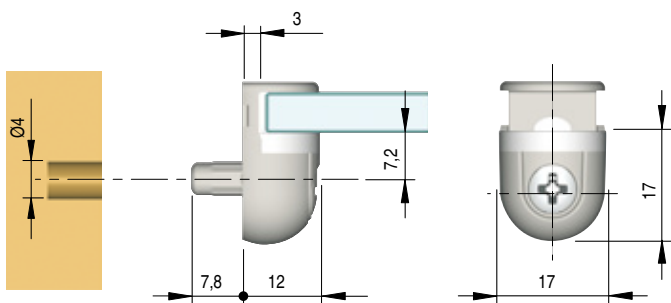




With Ø 3mm pin for 4 to 10mm glass shelf.
Zinc alloy
Engineering plastic rubber

Part. no	Rubber	Finish
16013010YA	Natural	Nickel-plated

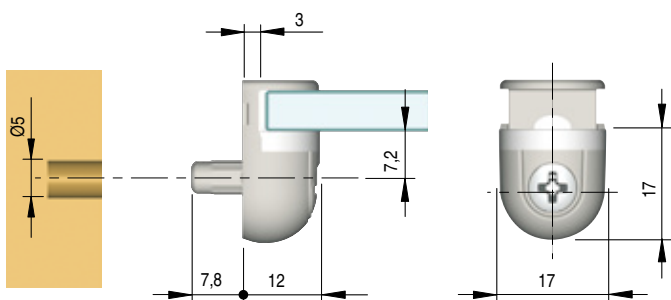
Other finishes available on request



With Ø 4mm pin for 4 to 10mm glass shelf.
Zinc alloy
Engineering plastic rubber

Part. no	Rubber	Finish
16013020YA	Natural	Nickel-plated

Other finishes available on request

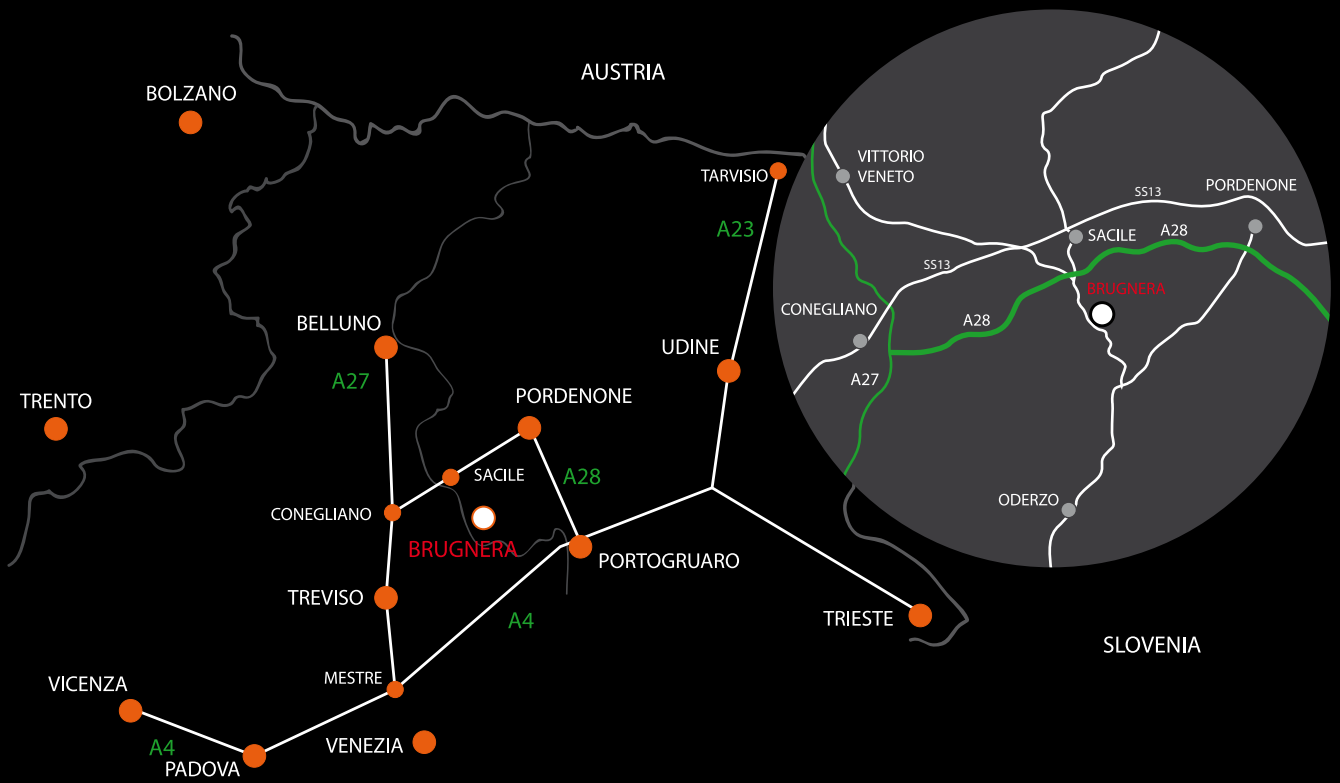


With Ø 5mm pin for 4 to 10mm glass shelf.
Zinc alloy
Engineering plastic rubber

Part. no	Rubber	Finish
16013040YA	Natural	Nickel-plated

Other finishes available on request





ITALIANA FERRAMENTA

Via Taglio n° 87 I - 33070 Maron di Brugnera (PN) Tel. +39 0434 428211 Fax +39 0434 428242 www.italianaferramenta.com info@italianaferramenta.it