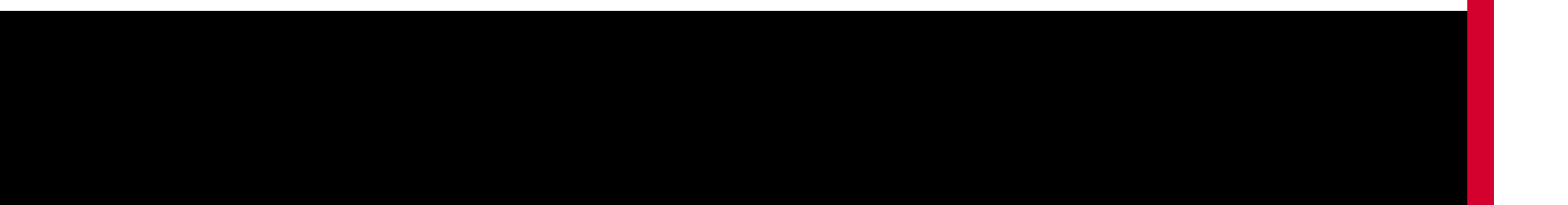


KAIMAN





KAIMAN: combined wall bracket and shelf support for glass shelf 7 to 19mm thick and wood shelf 18 to 41mm thick.

Can be fixed:

- to cement wall with rawlplug \varnothing 8mm and pan head screw \varnothing 5x50mm.
 - to plaster board with umbrella fitting \varnothing 8mm & pan head screw M4x46mm.
 - to wood panels 18mm thick with special designed spreading dowel and M6 bolt.
- Useful fixing method for aligning wall brackets and easy adjustment front to back shelf angle as required.

Capable of supporting a 25Kg load each (shelf weight included), for a shelf 320mm deep.

Zinc alloy
Engineering plastic

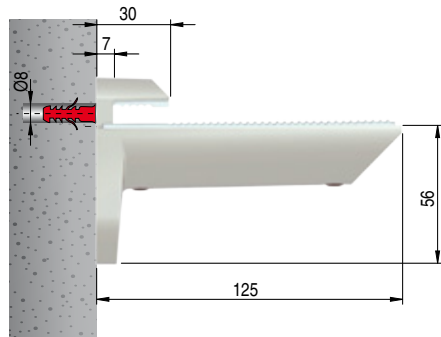
Part. no	Finish	Engineering plastic
16102020JL	aluminium PE 11	water green
16102020YD	satin-finished nickel-plated	water green

Other finishes available on request

Box of pcs. 2 with wall hardware included

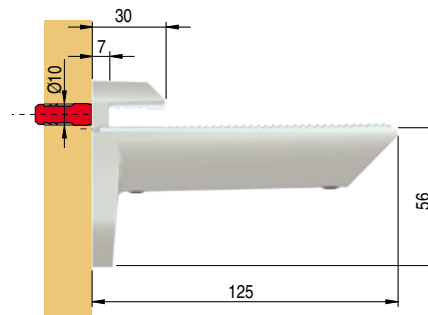


FIXING TO CEMENT WALL WITH RAWLPLUG



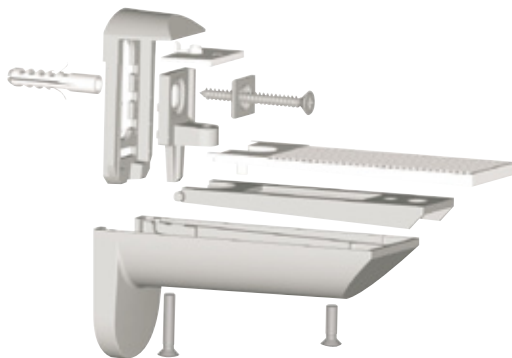
- It is the responsibility of the customer:
- to ensure that the wall is of a suitable quality to hold the shelf fixing in place.
 - to use the right hardware fitting as required.

FIXING TO 18MM THICK PANEL WITH SPECIAL SPREADING DOWEL AND BOLT

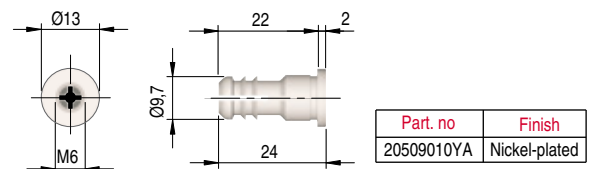


- It is the responsibility of the customer:
- to ensure that the wall is of a suitable quality to hold the shelf fixing in place.
 - to use the right hardware fitting as required.

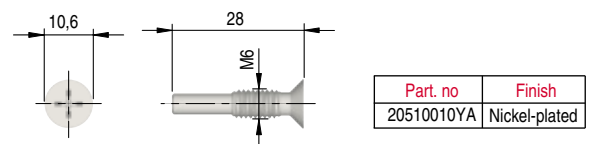
DETAILS



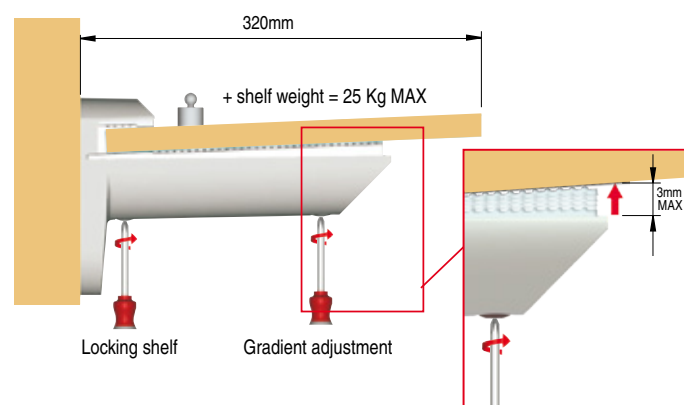
SPREADING DOWEL



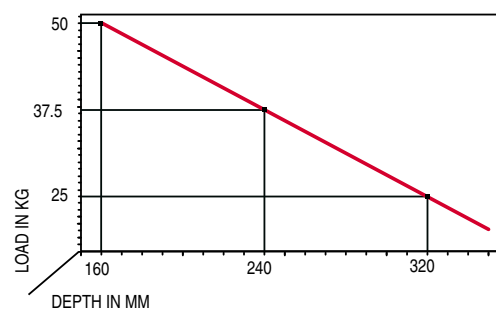
BOLT

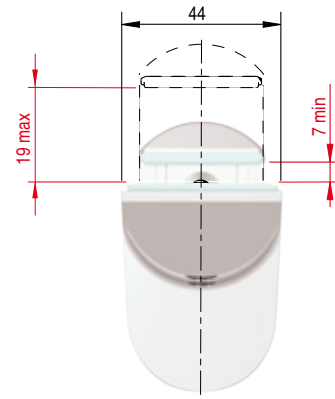


ADJUSTMENTS

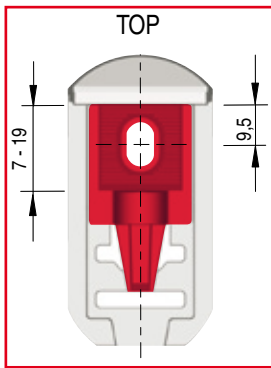


COMBINATION SHELF LOAD AND SHELF DEPTH
(The figures refer to 1 shelf support)

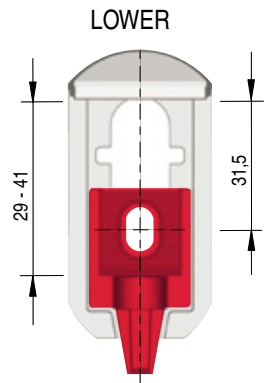
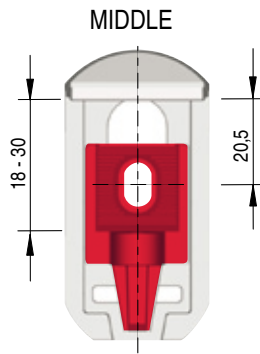




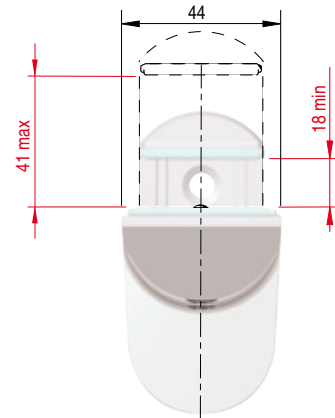
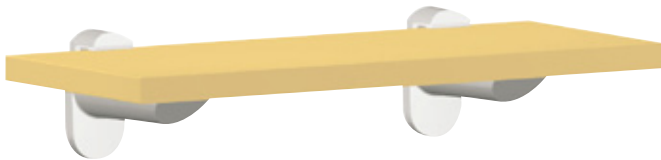
POSITION OF THE RIDGE PLATE



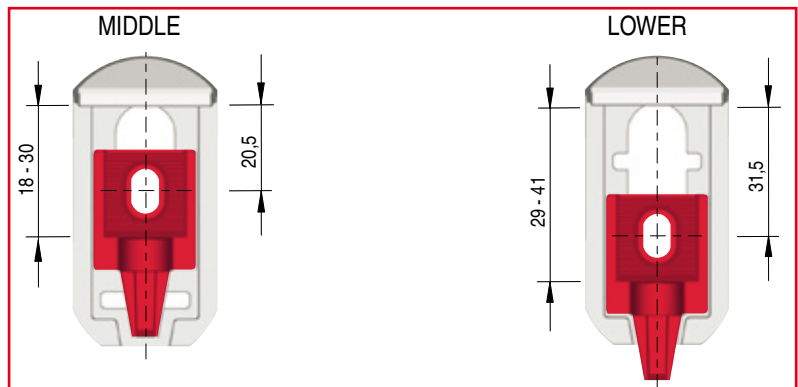
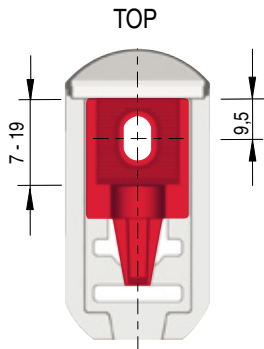
Position of the ridge plate in the top wall bracket gauge.



KAIMAN DECORATIVE WOOD SHELVING SYSTEMS

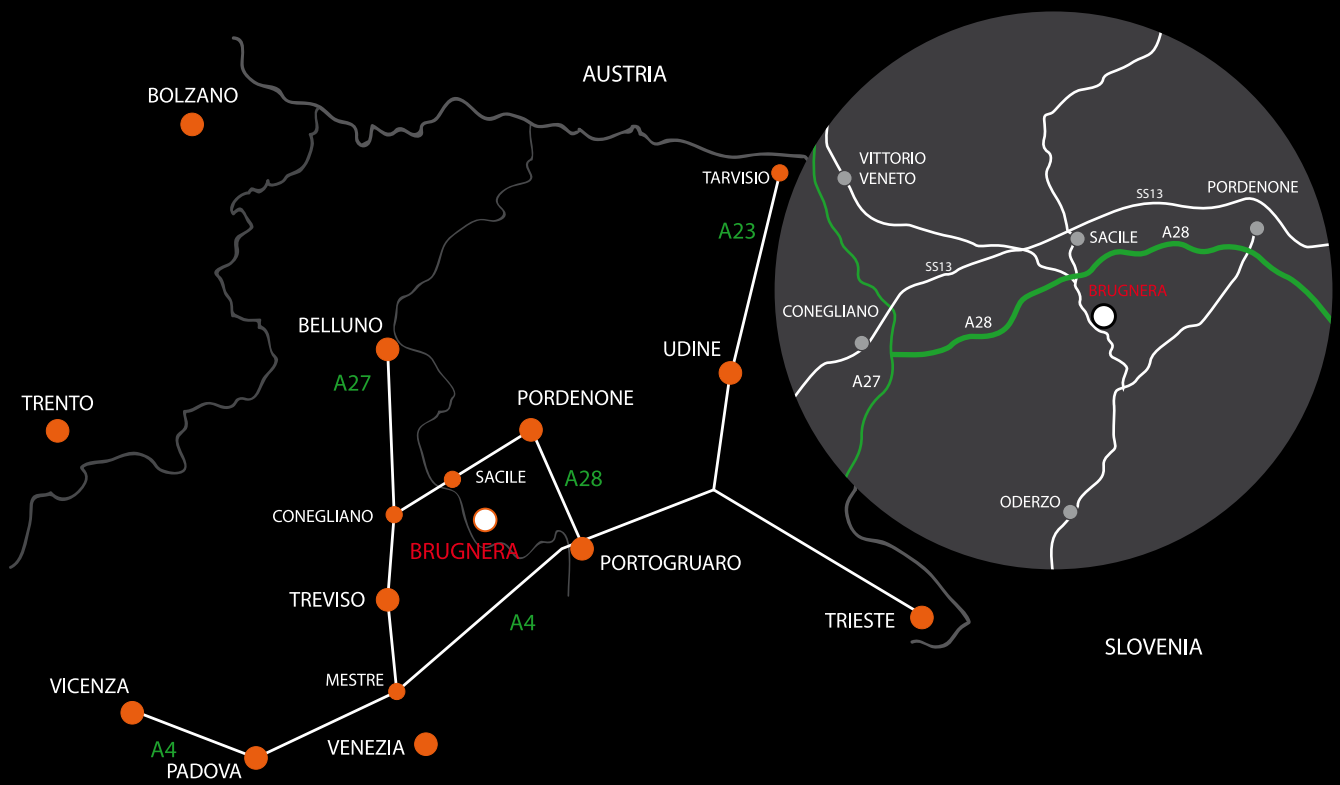


POSITION OF THE RIDGE PLATE



Position of the ridge plate in the middle/lower wall bracket gauge, according to the shelf thickness.





ITALIANA FERRAMENTA

Via Taglio n° 87 I - 33070 Maron di Brugnera (PN) Tel. +39 0434 428211 Fax +39 0434 428242 www.italianaferramenta.com info@italianaferramenta.it