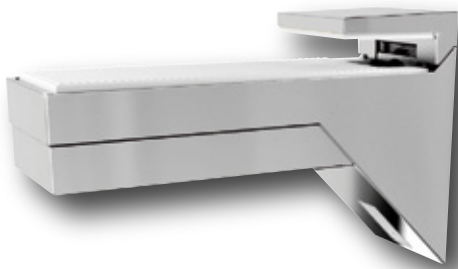


KALABRONE





KALABRONE is the new shelf support for free-standing shelves created by Italiana Ferramenta Srl. Boasting a captivating design, it perfectly meets the actual market demands. It is suitable for shelves from 8 to 30 mm thick. Its solid structure guarantees a capacity loading of 25 kg for each support with a shelf 320 mm deep.

KALABRONE comes with 2 adjustments:

- **Vertical:** through the oval hole positioned on the upper bracket
- **Front To Back:** through an adjustable screw positioned on the main support

The soft element made of engineering plastic positioned on the upper bracket guarantees a perfect adhesion to the shelf, thus avoiding that the shelf is accidentally removed.

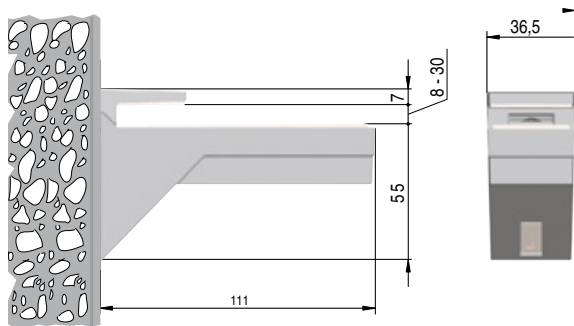
REGISTERED DESIGN

Part. no	Finish	Engineering plastic
16220010JM	aluminium RAL 9006	white
16220010YD	satin-finished nickel-plated	white
16220010KB	bright chrome	white

Other finishes available on request



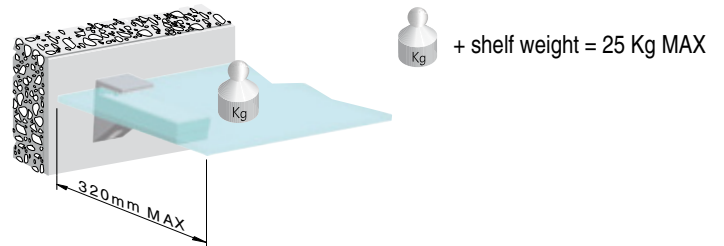
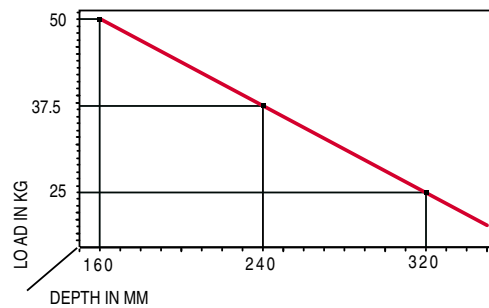
FIXING TO CEMENT WALL WITH RAWLPLUG



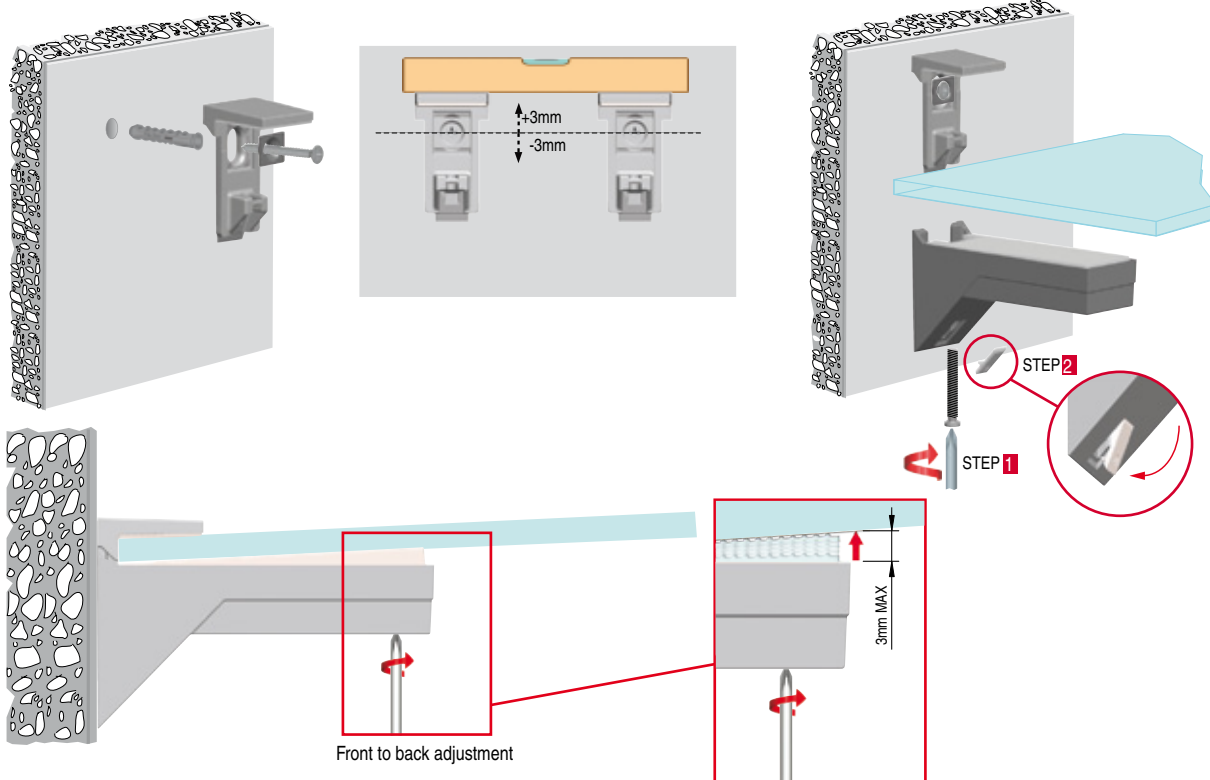
It is the responsibility of the customer:

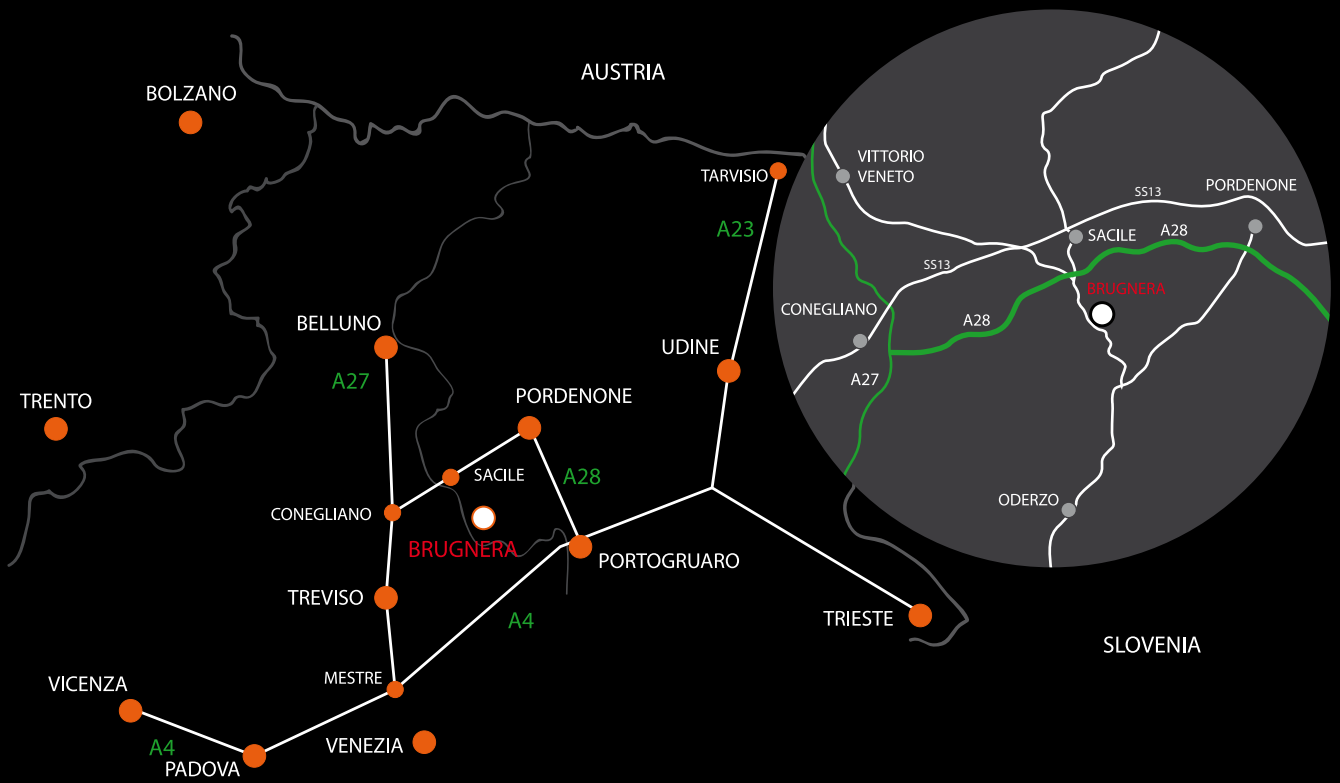
- to ensure that the wall is of a suitable quality to hold the shelf fixing in place.
- to use the right hardware fitting as required.

COMBINATION SHELF LOAD AND SHELF DEPTH (The figures refer to 1 shelf support)



INSTALLATION, LOCKING SHELF AND ADJUSTMENTS





ITALIANA FERRAMENTA

Via Taglio n° 87 I - 33070 Maron di Brugnera (PN) Tel. +39 0434 428211 Fax +39 0434 428242 www.italianaferramenta.com info@italianaferramenta.it