



FILO HE and FILO TWIN HE

DOMUS Line
design

LED luminaire for bathroom mirrors with wide projection

Materials:

aluminium

Finishes:

aluminium

Light source:

SMD LED module

Application type:

bathroom mirror

Installation:

over shelf, on the edge of the mirror

Features

FILO HE and FILO TWIN HE are aluminium appliques ideal for lighting up bathroom mirrors. They come standard with bracket to be installed on the mirror profile.



No point effect technology

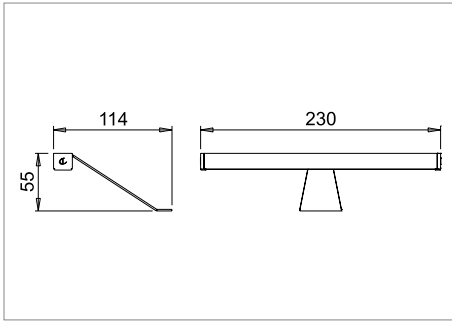
The light projection of the luminaires is homogeneous, diffused and devoid of the dotted effect typical of traditional LED luminaires.



IP44 Splash protection

FILO HE and FILO TWIN HE are devices with IP44 degree protection.

Device with non-replaceable LED module
Energy efficiency class: A++, A+, A
EU Regulation No. 874/2012



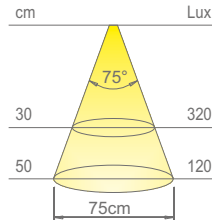
FILO HE

for installation on mirrors

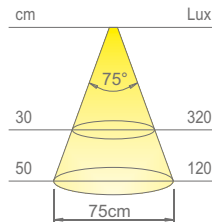


Code	Length	Watt & Volt	Light colour	Finish
1095105B/HE	230mm	1,9W @ 24Vdc	warm white	aluminium
1095105N/HE	230mm	1,9W @ 24Vdc	natural white	aluminium

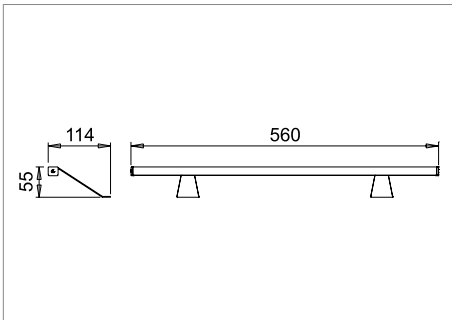
LED CONVERTER NOT INCLUDED. TO BE ORDERED SEPARATELY.



Colour appearance	warm white
Colour temperature	3100 Kelvin
Luminous flux	190 Lumen
CRI	Ra ≥ 80



Colour appearance	natural white
Colour temperature	4300 Kelvin
Luminous flux	190 Lumen
CRI	Ra ≥ 80



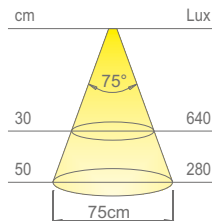
FILO TWIN HE

for installation on mirrors

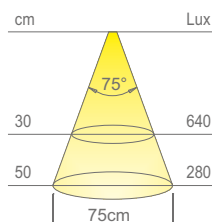


Code	Length	Watt & Volt	Light colour	Finish
1095205B/HE	560mm	5,3W @ 24Vdc	warm white	aluminium
1095205N/HE	560mm	5,3W @ 24Vdc	natural white	aluminium

LED CONVERTER NOT INCLUDED. TO BE ORDERED SEPARATELY.



Colour appearance	warm white
Colour temperature	3100 Kelvin
Luminous flux	510 Lumen
CRI	Ra ≥ 80



Colour appearance	natural white
Colour temperature	4300 Kelvin
Luminous flux	510 Lumen
CRI	Ra ≥ 80

SUGGESTED LED CONVERTER

Codice	Model	Input	Output	Load	Input wiring	Output wiring	Dimensions
0840101	FLAT15/24D IP44	230Vac	24Vdc	1 - 15W	2000mm with europlug	500mm Micro24 distributore 9 connectors	45 x 121 x 16 mm