

LOOP MAGNET

www.domusline.com

Led luminaire for bathroom mirrors with wide projection

Device with non-replaceable LED module



Product features

Housing:	metal alloy
Diffuser:	methacrylate
Wiring:	1200mm
Connector:	Micro12
Switch	not included
N. LEDs:	18
Durability:	30,000 h ¹



Technical Data

Wattage:	3,6 W
Voltage:	12 Vdc
Insulation degree:	III
Protection degree:	IP44
Socket/Type:	LED

¹ average value (minimum guaranteed complies with the requirements of EU Regulation 1194/2012)

Code	Watt & Volt	Light colour	Finish	EAN	Intrastat Number
1244809N	3,6W @ 12Vdc	natural white	chrome plated	8027934230220	94054039
1244809B	3,6W @ 12Vdc	warm white	chrome plated	8027934230329	94054039



Scan for installation manual

LED CONVERTER NOT INCLUDED. TO BE ORDERED SEPARATELY.



polarized connector for 12Vdc luminaire



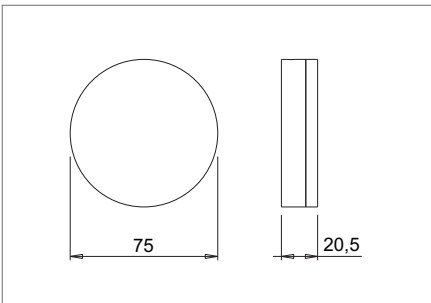
no-dot effect technology



feeding by constant voltage Converter



IP44 splash protection



Marks and symbols



Device in compliance with the EN60598 regulation-last edition.



Protection class III device. Power must be supplied by a safe power supply (in accordance with the EN61347-2-13 standard).



Device suitable for mounting in or on normally flammable surfaces.

IP44

Protected against solid objects greater than 1mm. Protected against splashing water.



Device only for indoor installation.



Device subject to the European Community directives 2002/96/CE and 2003/108/CE.

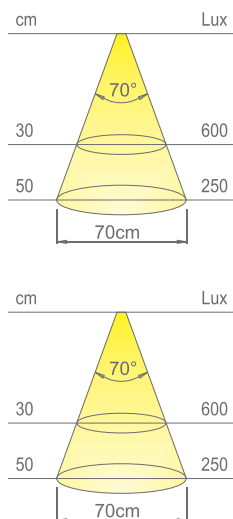
DOMUS Line® **LOOP MAGNET 3,6W 12Vdc NW**

LOOP MAGNET

www.domusline.com

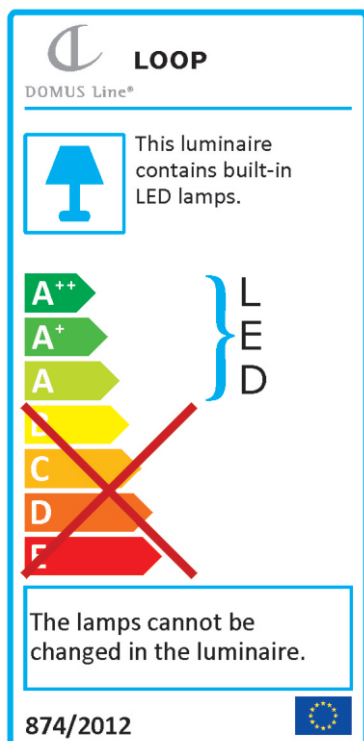
Led luminaire for bathroom mirrors with wide projection

| Device with non-replaceable LED module

**Photometric Data²**

Colour appearance: natural white
 Color temperature: 3800 Kelvin
 Luminous efficiency: 50 lm/W
 CRI: Ra 80
 Binning: Variation of chromaticity coordinates within a MacAdam ellipse

Colour appearance: warm white
 Color temperature: 2800 Kelvin
 Luminous efficiency: 50 lm/W
 CRI: Ra 80
 Binning: Variation of chromaticity coordinates within a MacAdam ellipse

²average value (minimum guaranteed complies with the requirements of EU Regulation 1194/2012)**Energy label****Compliance**

Standards : EN 60598-1:2008+A11 EN 55015:2013
 EN 60598-2-1:1989 EN 61547:2009
 EN 62493:2010 EN 61000-3-3:2013
 EN 62471:2008 EN 61000-3-2:2006+A1+A2

European Directives : 2014/35/EU Low Voltage
 2014/30/EU EMC
 2009/125/CE Erp (1194-2012-CE)
 2011/65/UE RoHS

Photobiological Safety: risk 0 (free)

Certificate/s:

Packaging data

	Pcs	Dimensions LxWxH (mm)	Gross weight	Net weight
Packaging unit:	1 pcs	90x85x78	0,171 Kg	0,144 Kg
Multibox unit:	10 pcs	480x230x110	1,97 Kg	1,44 Kg



Scan for more info