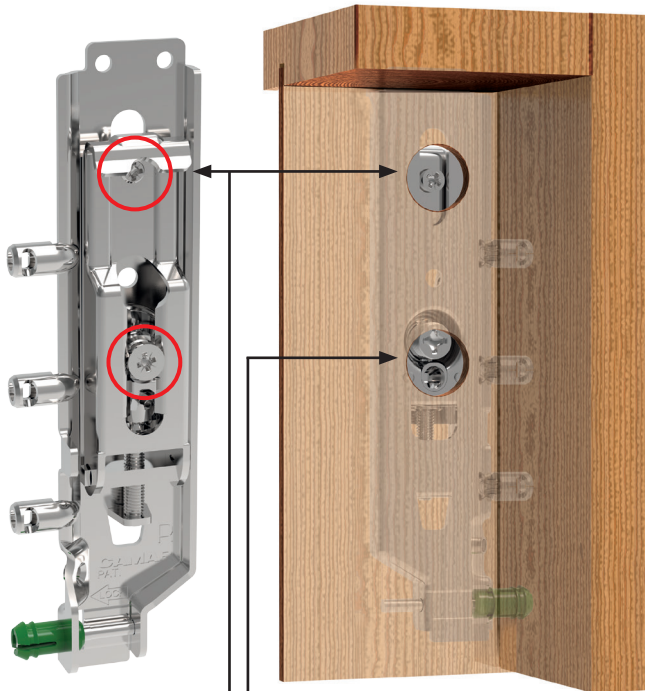


817 AU ZV 1B

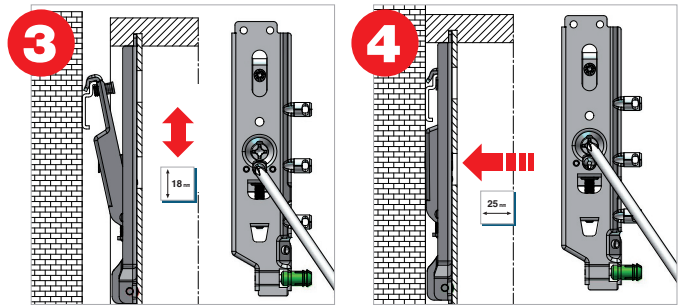
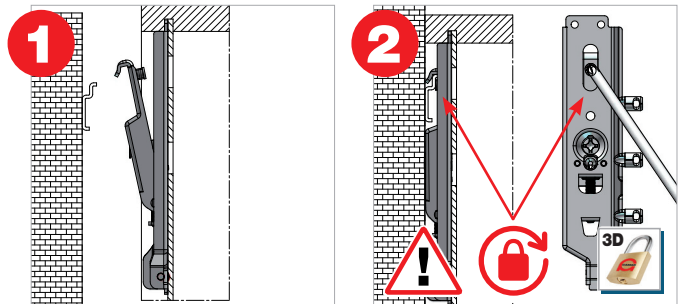
DX
SX






3

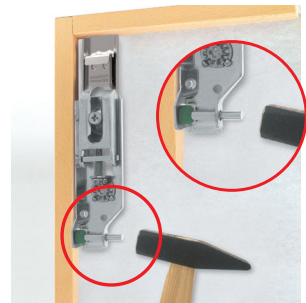
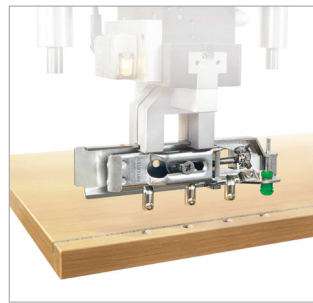







New



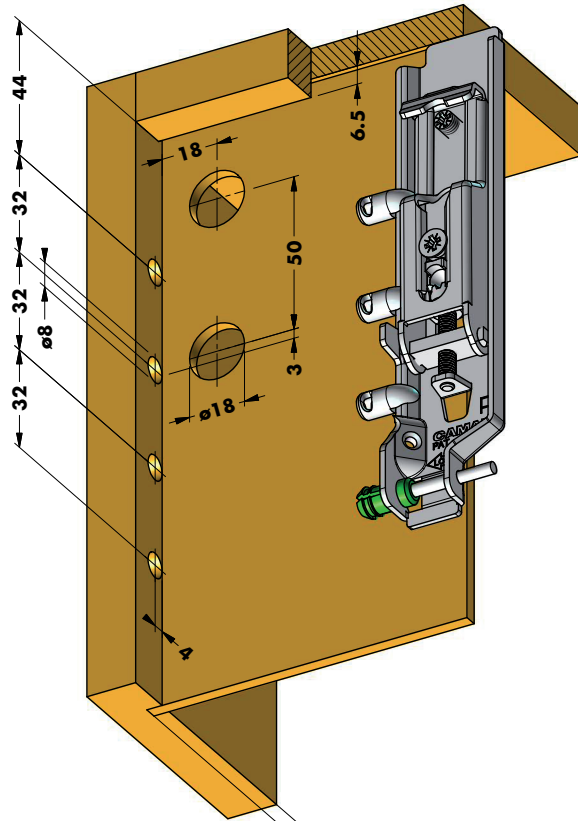
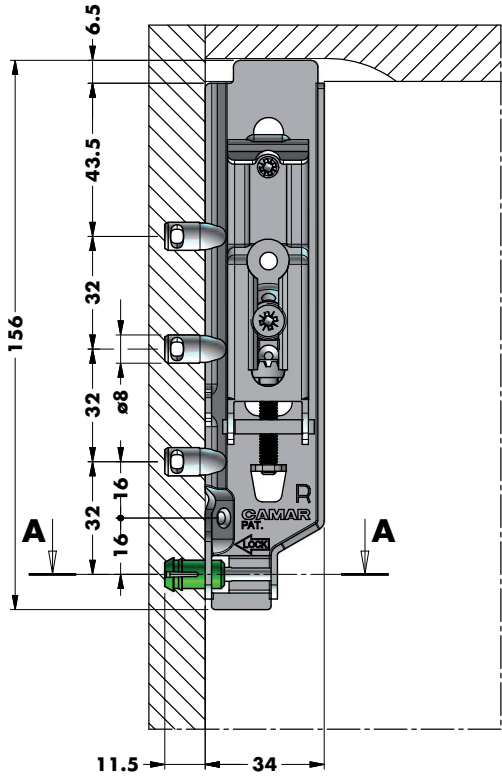
 **3D** After assembly, verify that the anti-drop system has been activated.

 **3D** Verificare dopo il montaggio l'avenuta attivazione del sistema antigancio.



9		BRACKET PLATE BP 15mm	875 AS Z1 00 47	
			875 AS Z1 00 60	
			875 AS Z1 □ □	
			875 AS Z1 20 32	

9		810 XX XX XX	
---	--	--------------	---



SEZ. A-A

