

Fig. 1

Voltage	Max. lighting load data sheet				
	Electronic LED Driver	Electronic transformer	Halogen lamp	Electronic ballast	Magnetic ballast
100-120Vac	80VA	250VA	250VA	80VA	60VA
220-240Vac	150VA	250VA	250VA	150VA	100VA

Fig. 2

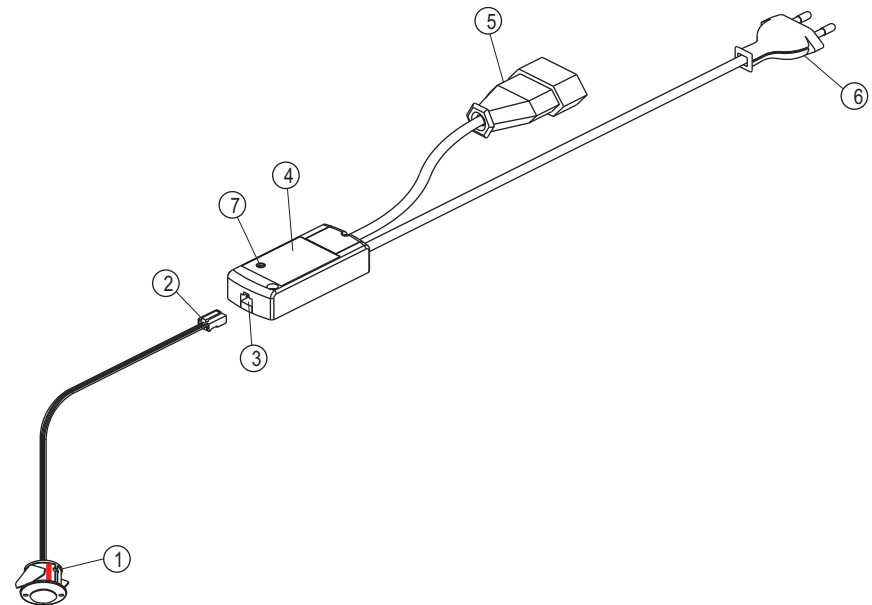


Fig. 3

