

# 300 00 Z2 00 A2

+20mm  
0mm

100 Kg  

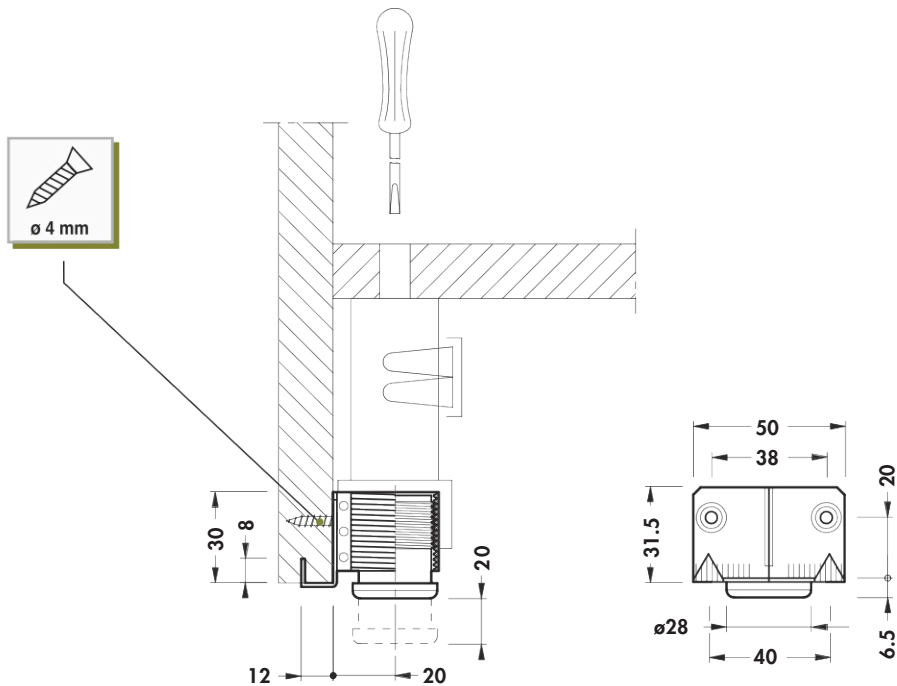
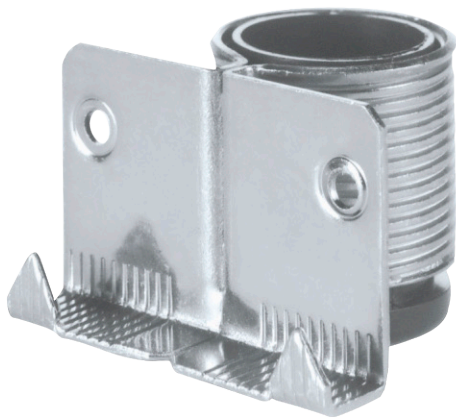

ABS



Fe

 200

 6000

 1000



9  **300**  
 516