

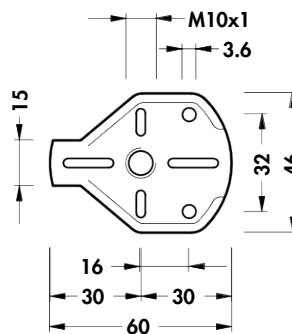
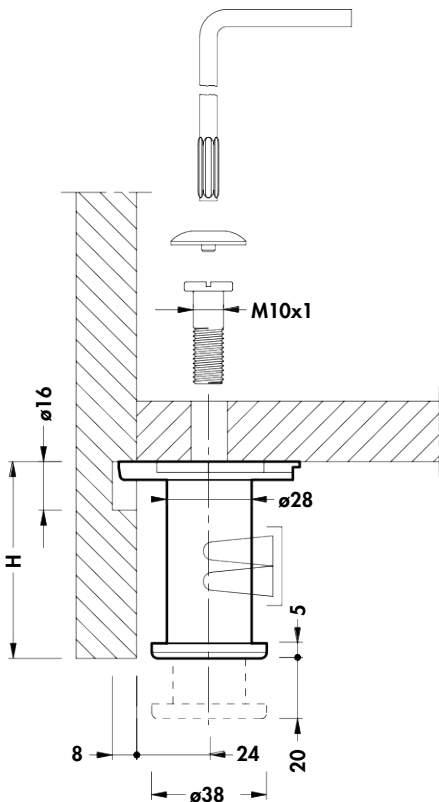
# 308 □ Z2 90 02

04 \*  
05  
06  
07  
08  
09  
10  
H<sub>cm</sub>



+20mm 0mm		400 Kg	
ABS	Fe	ZAMAK	CTBA

100      1200  
\* 200



9			<b>809</b> 536-537
9		<b>308</b> 518	
9		<b>202</b> 504 H 7-10	<b>203</b> 505 H 5-10
		<b>204</b> 506 H 7-10	
		<b>225</b> 508 H 5-10	<b>226</b> 509-510 H 5-10
		<b>228</b> 512 H 5-10	