

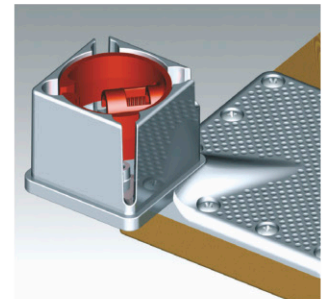
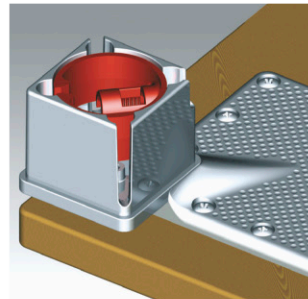
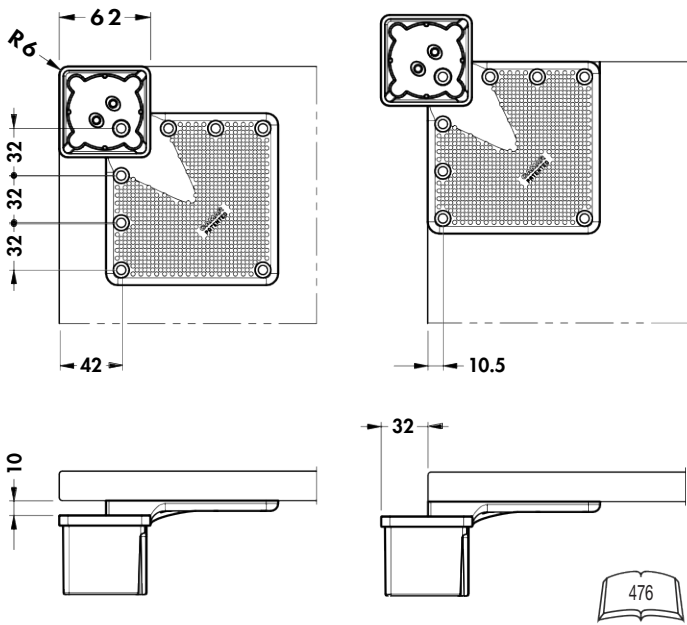
# 639 STEP

**+10mm**  
**0mm**



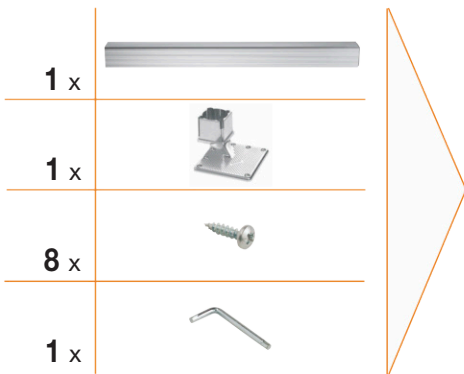
AB - AL - AN - A0 - C1 - IX - ST - TG  
11 - 71 - 77

351



## 639 70 C1

Hmm = 715



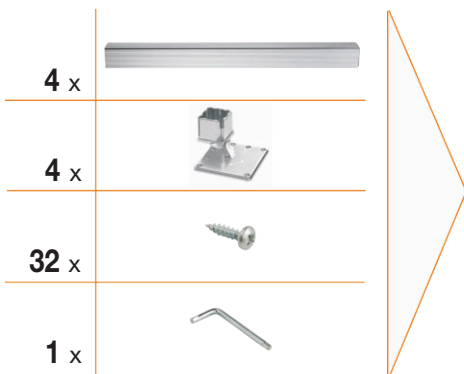
RG ●  
RN ▲



10 100 10

## 639 70 B4

Hmm = 715



RG ●  
RN ▲



5 40 3