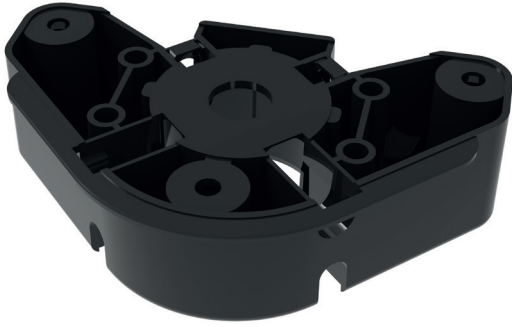


842 00 P2 U0 2F

New



400



3600



800

