




# DOSSIER TÉCNICO

## ADVANCED

serie EVOLUTION



# INDICE

<b>Simbología</b> .....	<b>4/5</b>
<b>Instalación guías Modulo de 70 cms.</b> .....	<b>8/9</b>
<b>Instalación guías Modulo de 80 cms.</b> .....	<b>14/15</b>
<b>Instalación frente/Medidas corte tablero</b> .....	<b>20/21</b>
<b>Montaje-Desmontaje y Ajuste del frente</b> .....	<b>26/27</b>
<b>Certificado de Calidad </b> .....	<b>32/33</b>





# ADVÄNCED

Serie EVOLUTION

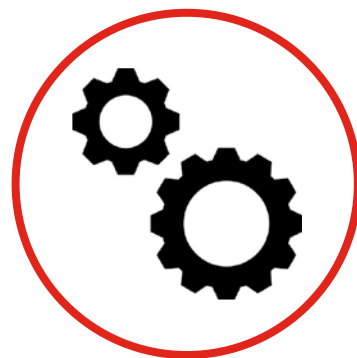
Simbología



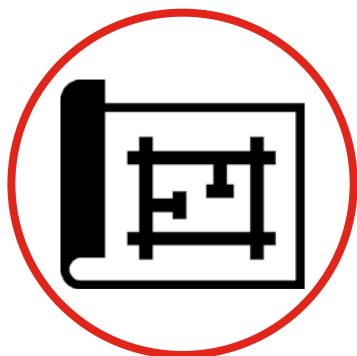
**Certificado de  
calidad SGS**



**Fácil montaje**



**Guía sincronizada**



**Altura  
90 / 130 / 180**



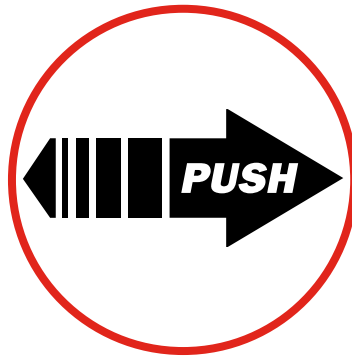
**Acabado  
Antracita / Blanco**



**Múltiples  
aplicaciones**



**Guía de 50 Kg.  
(opcional)**



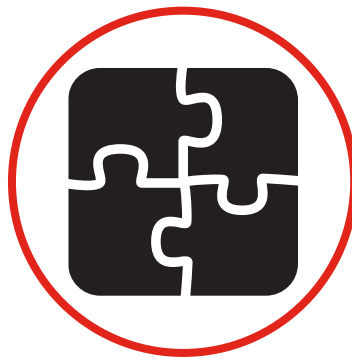
**Guía de expulsión  
(opcional)**



**Guía de freno**



**Máximo  
aprovechamiento  
del espacio**



**Amplio programa  
de equipamiento**



**Perfil delgado  
13 mm.**

# Simbología **ADVANCED**





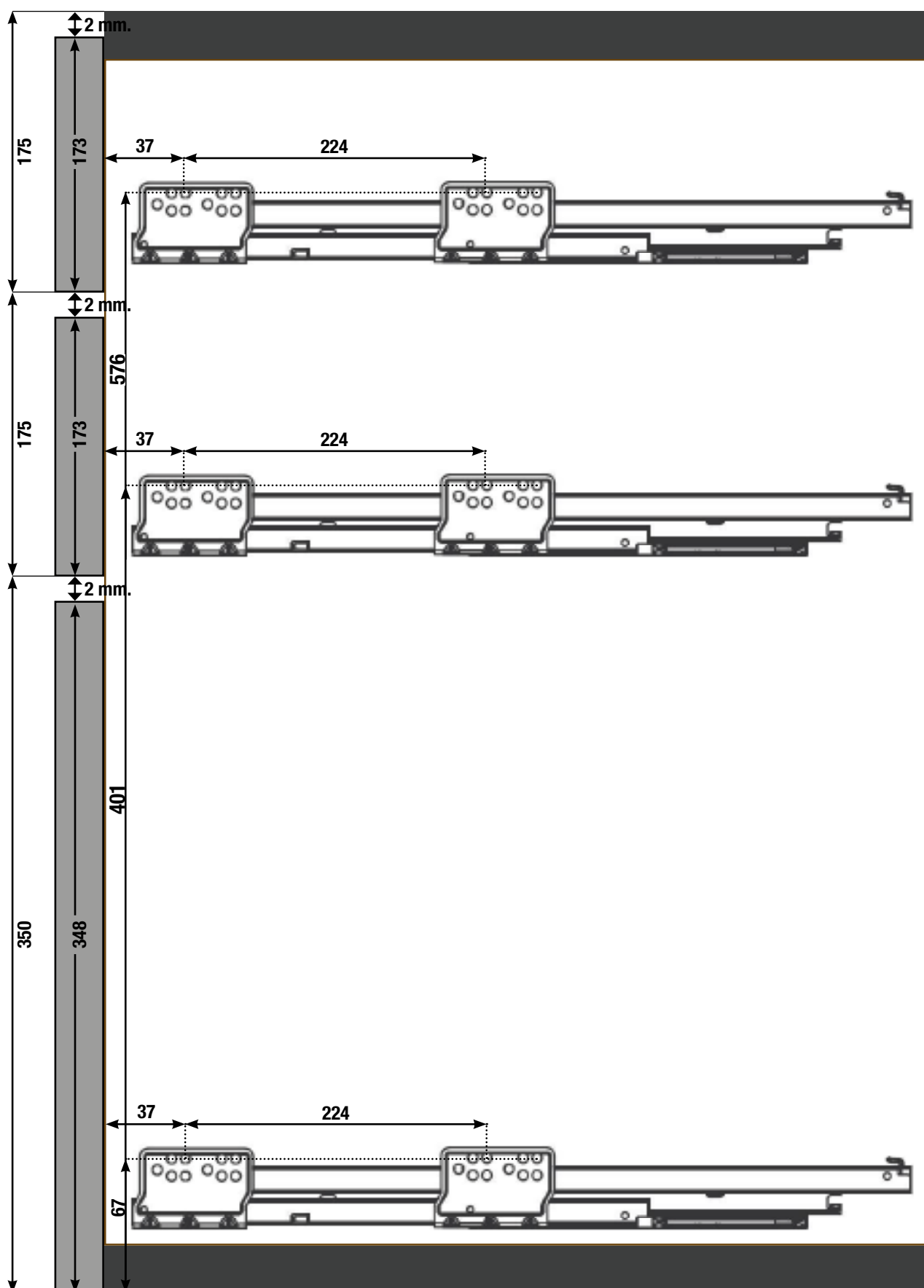


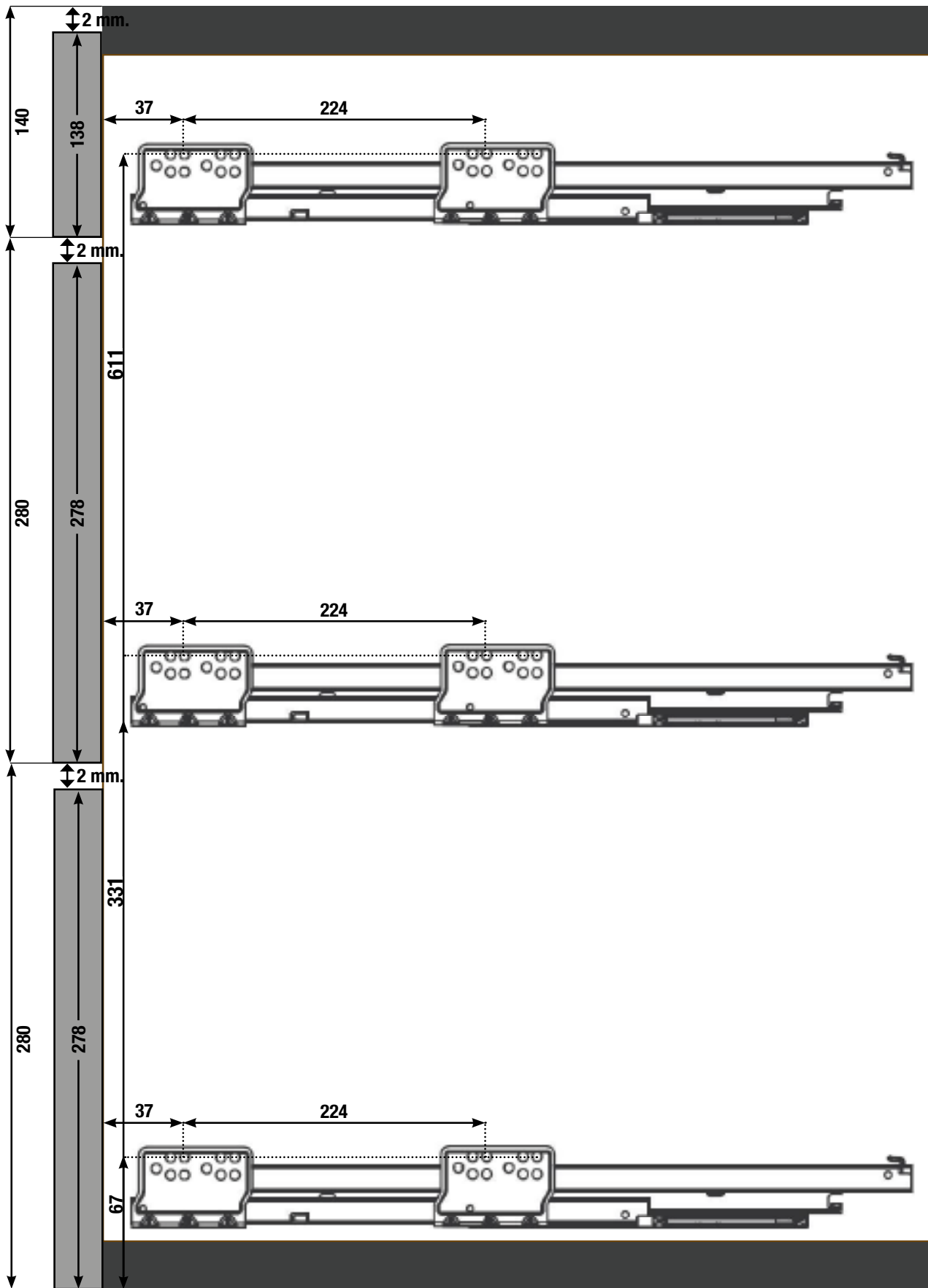
# ADVÄNCED

Serie EVOLUTION

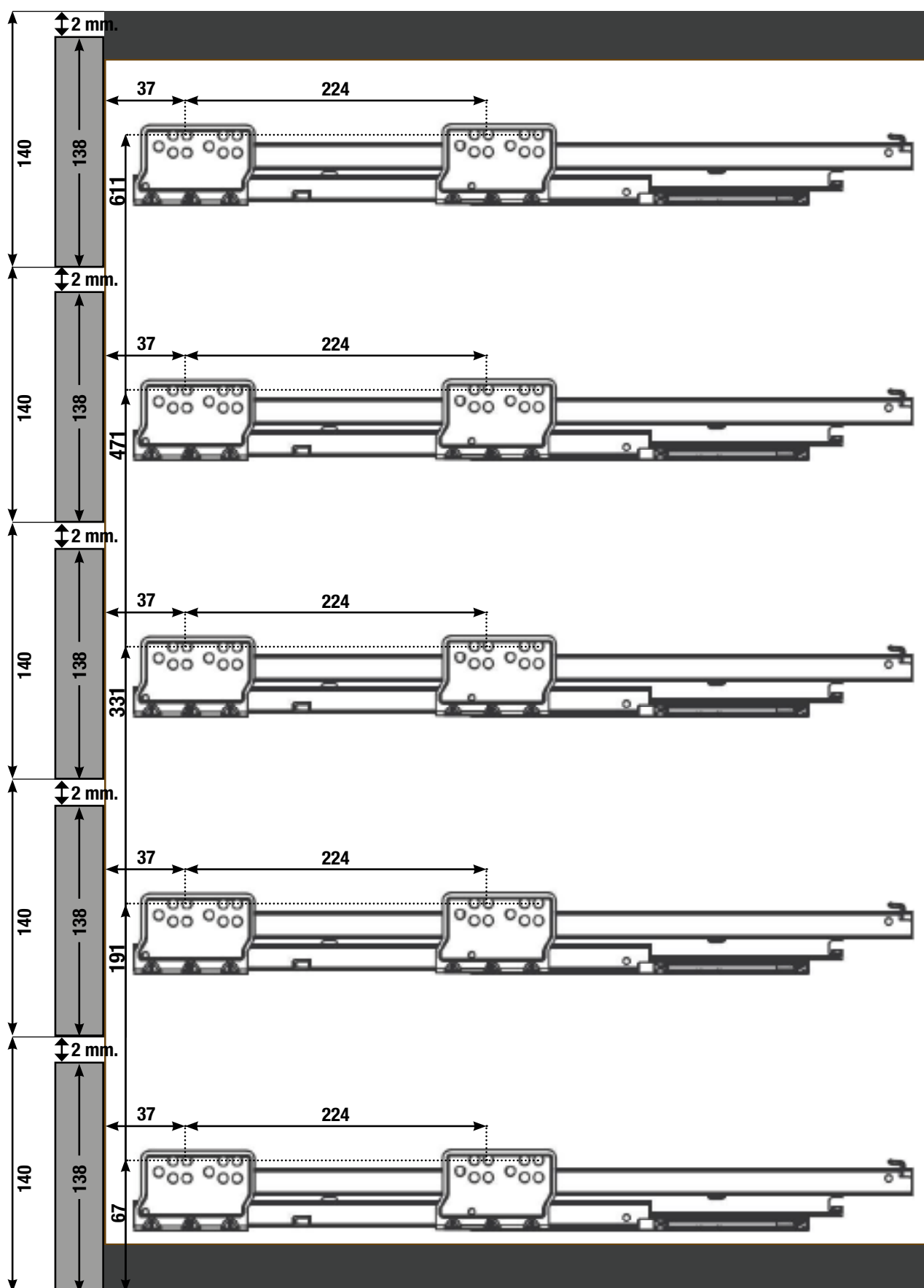
Instalación guías en módulo de 70 cms. de altura

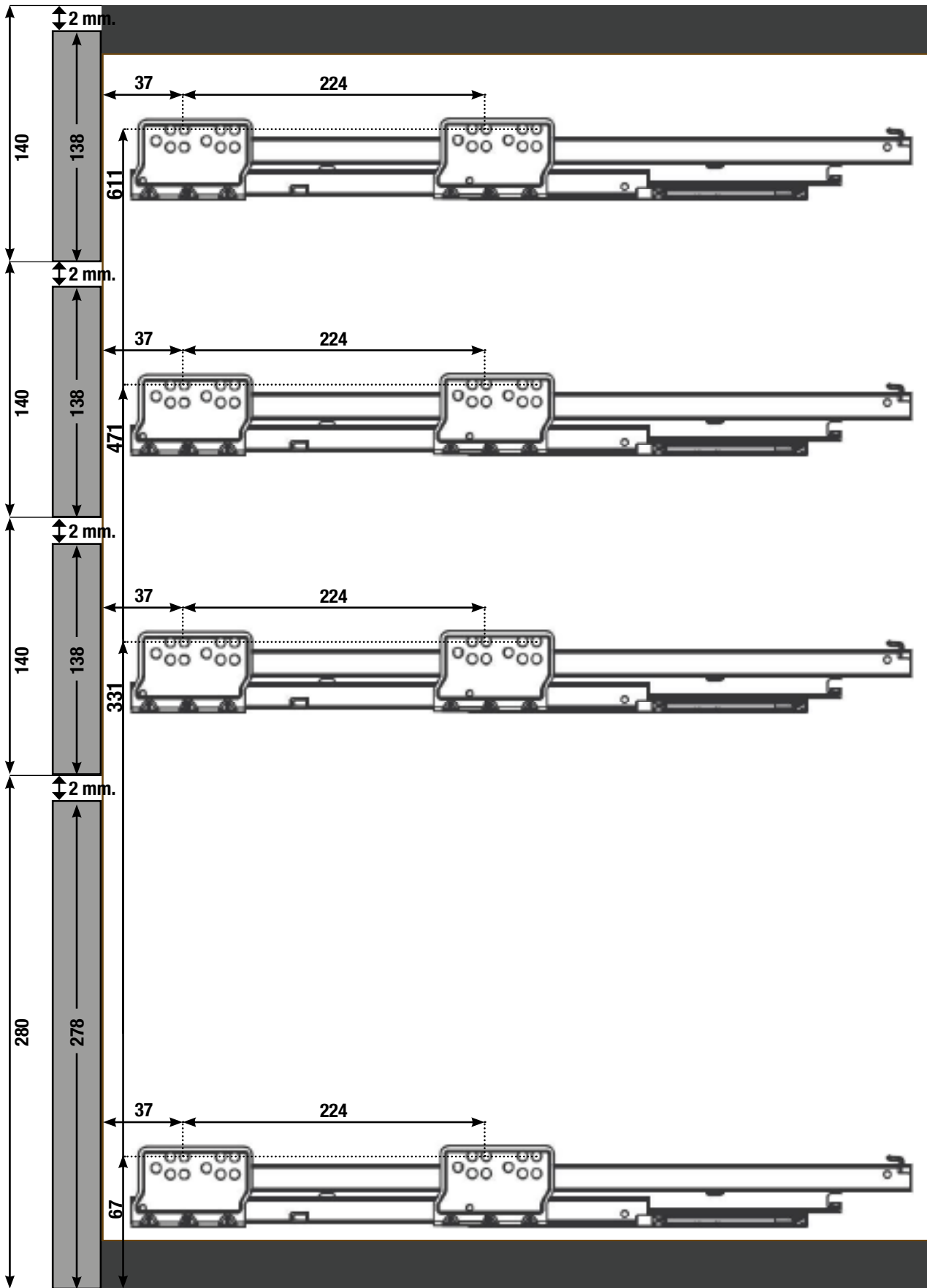
## Instalación guías en módulo de 70 cms. de altura.





# Instalación guías en módulo de 70 cms. de altura.







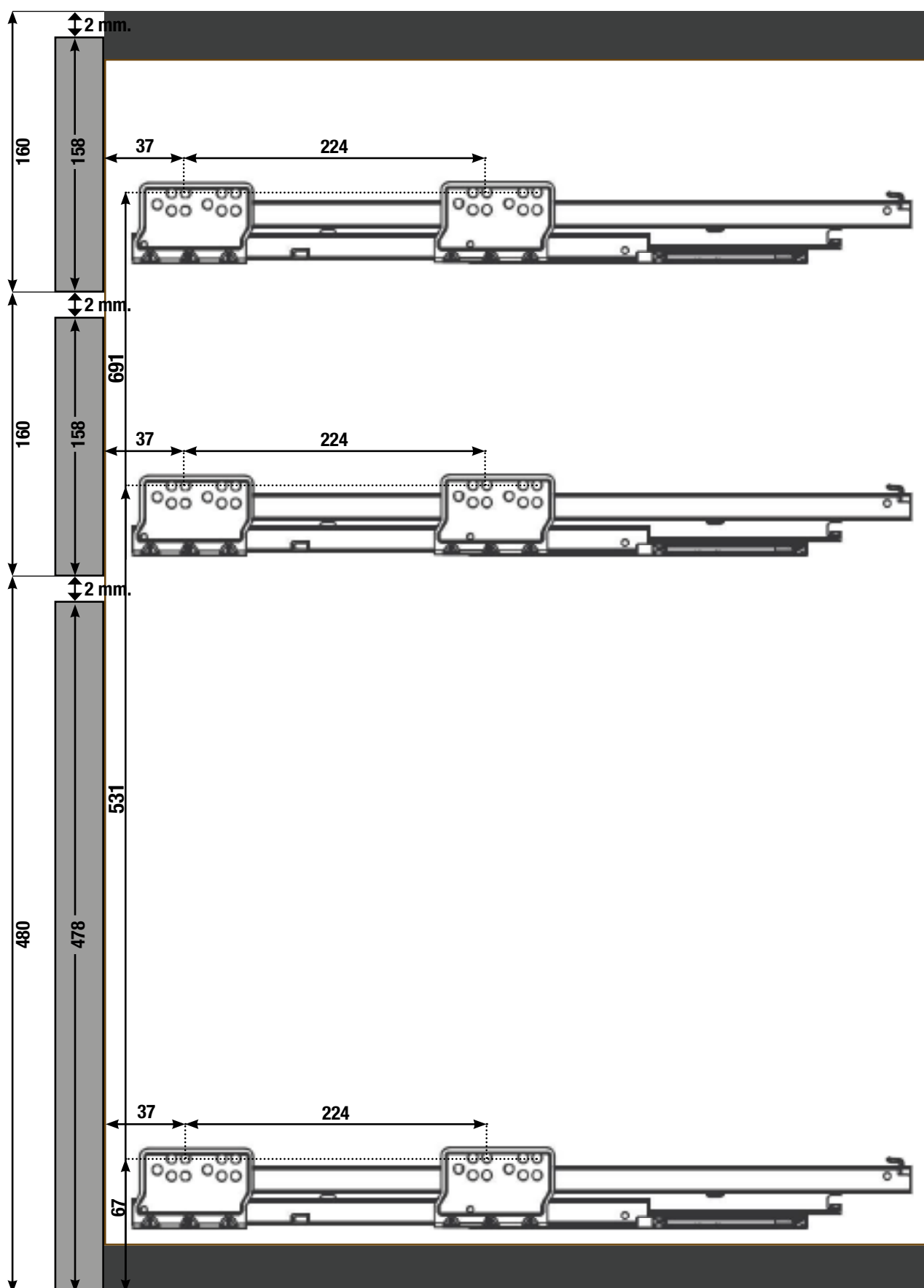


# ADVÄNCED

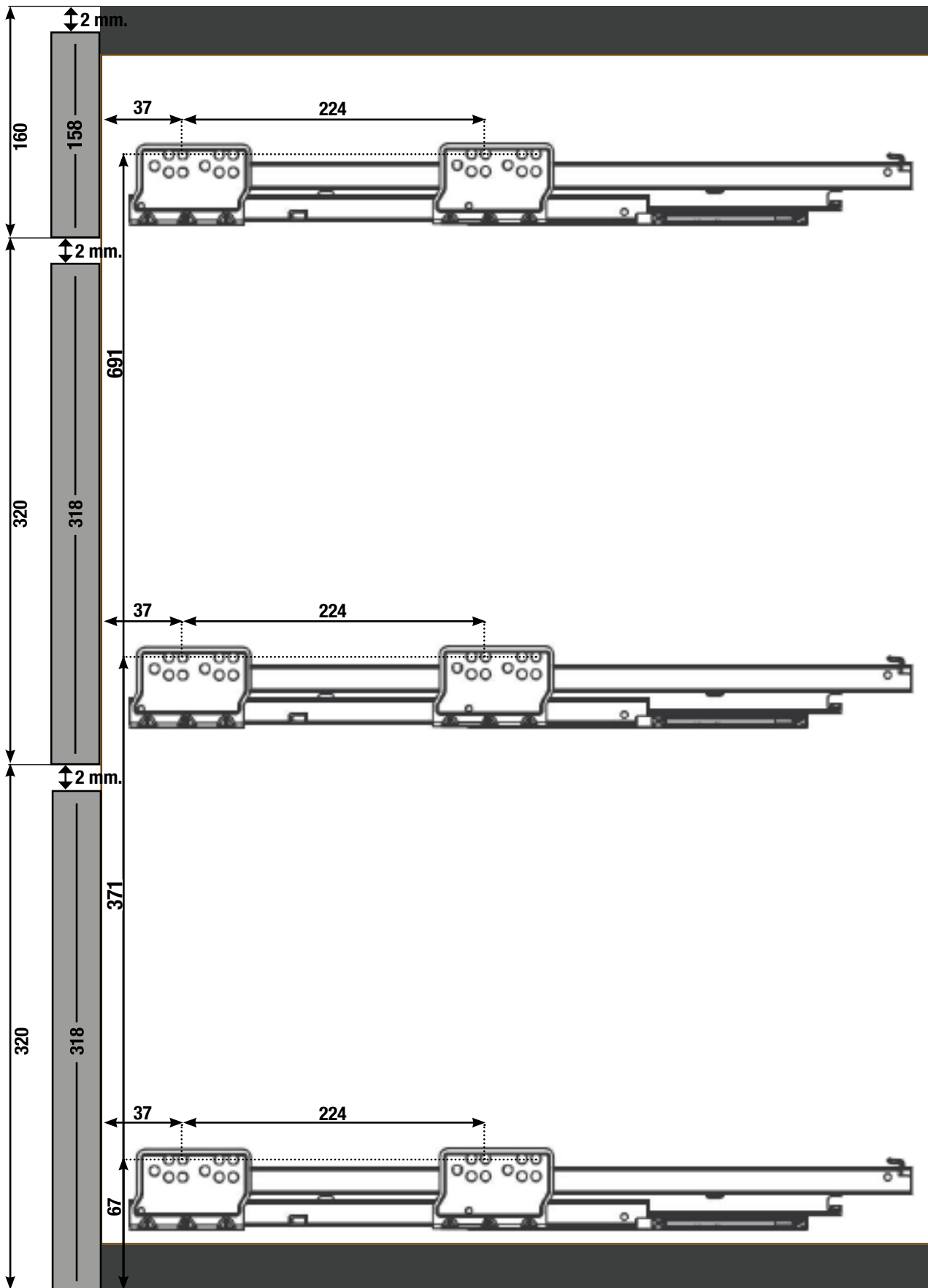
Serie EVOLUTION

Instalación guías en módulo de 80 cms. de altura

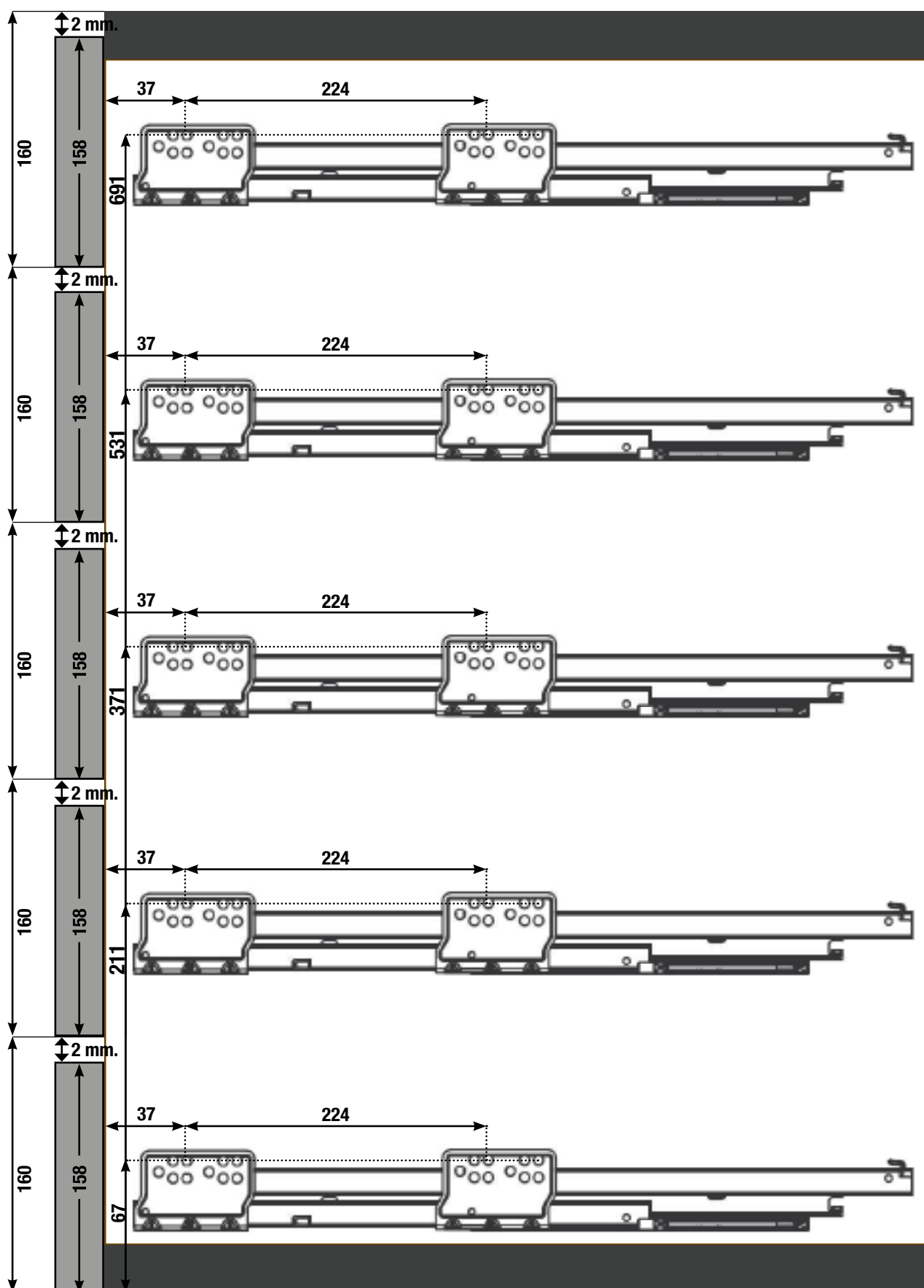
## Instalación guías en módulo de 80 cms. de altura.

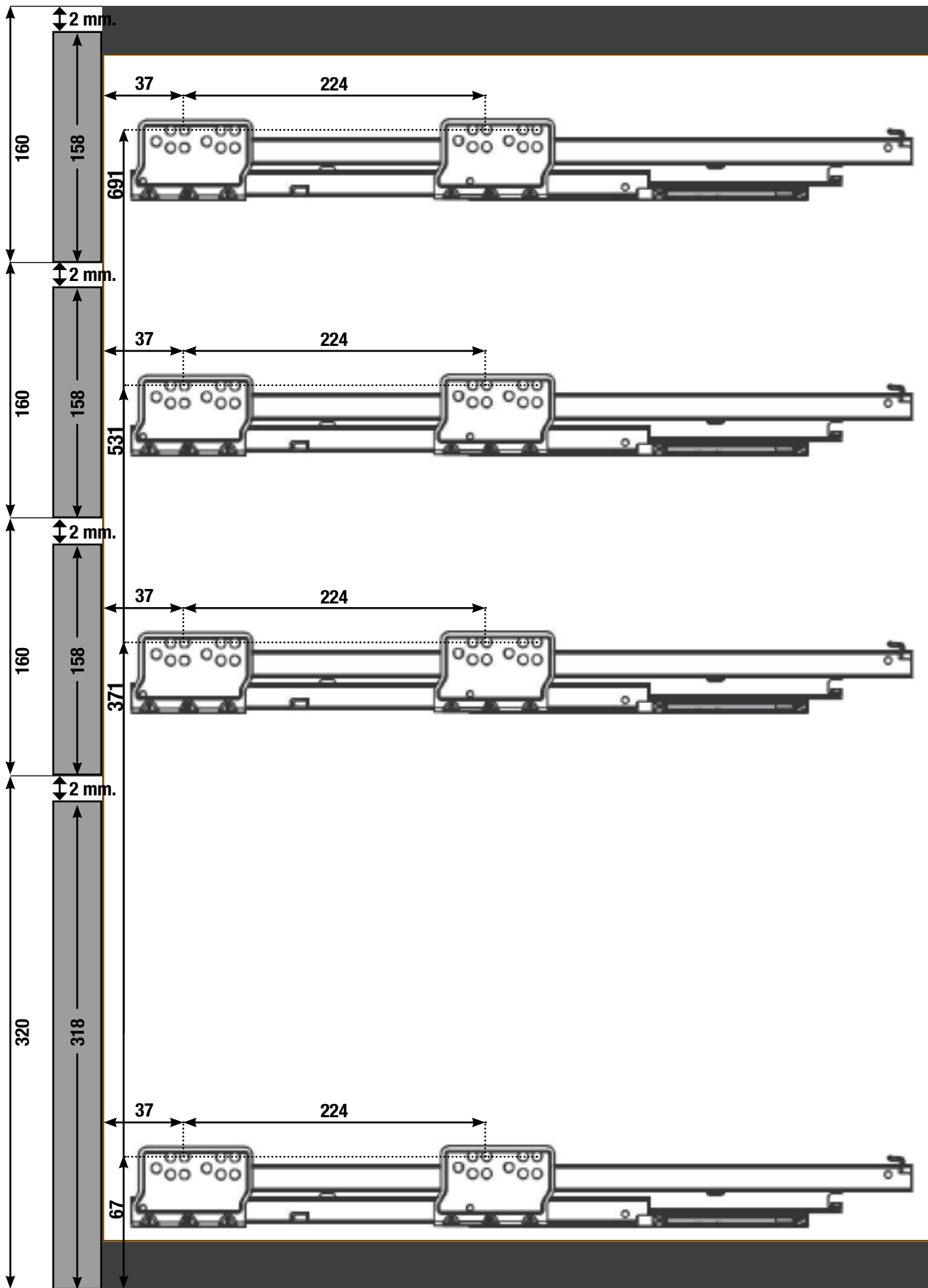






# Instalación guías en módulo de 80 cms. de altura.





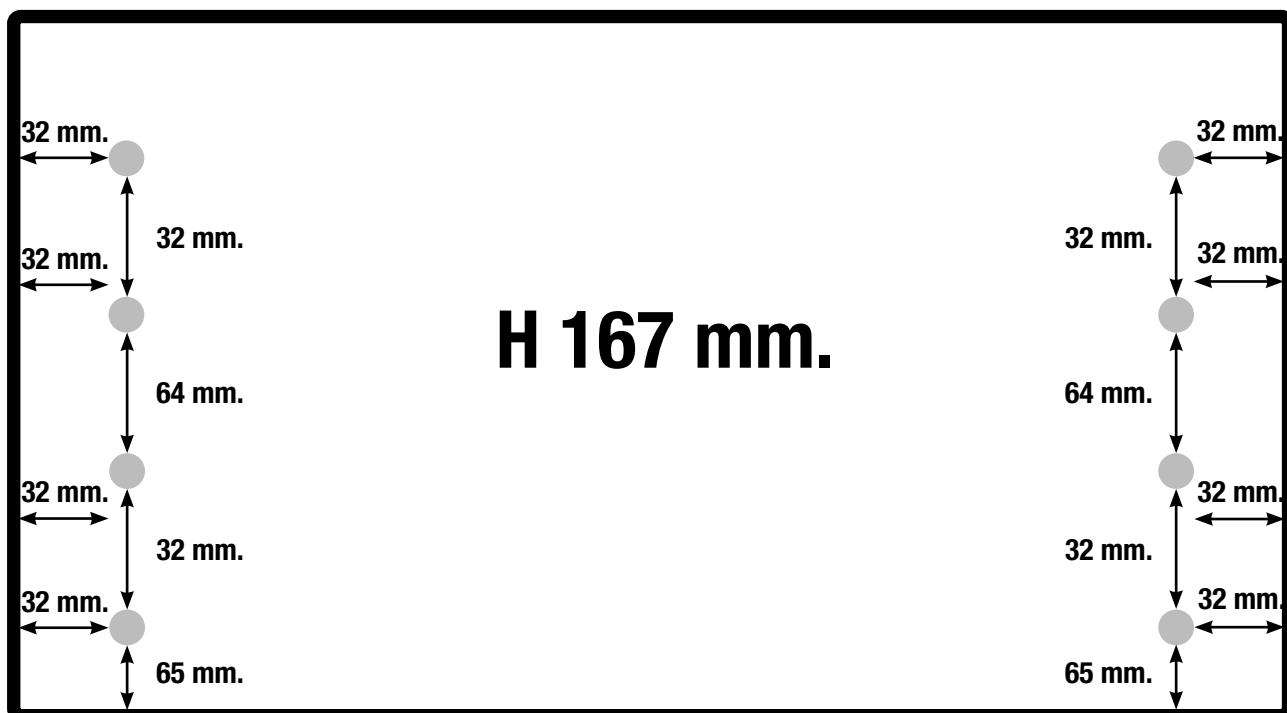
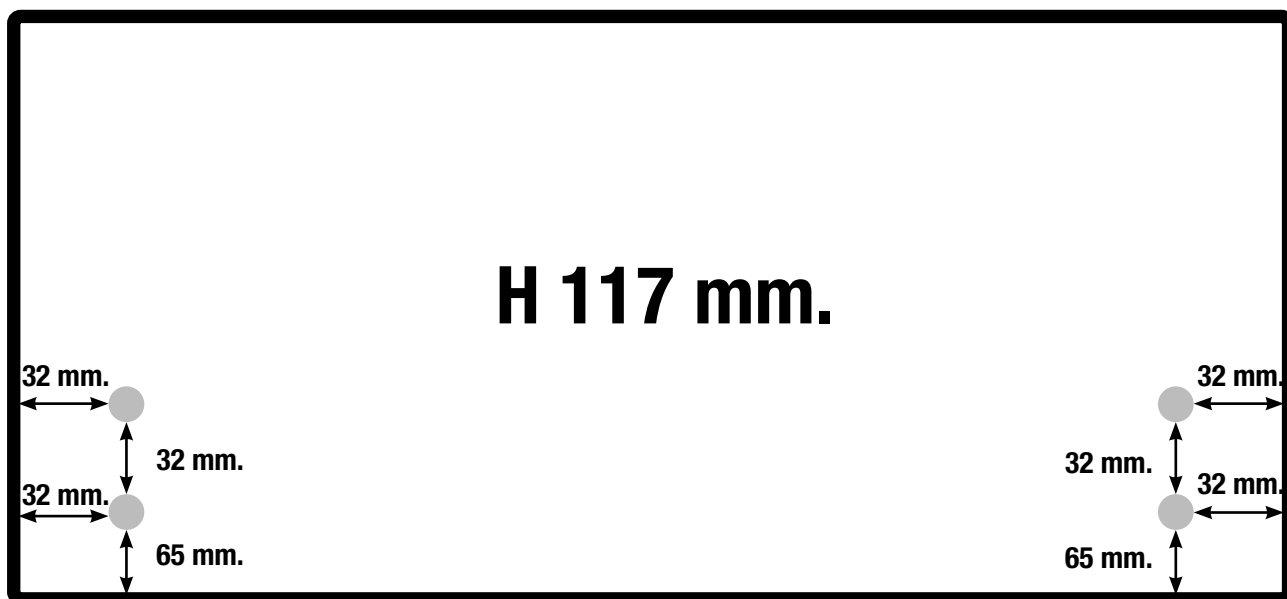
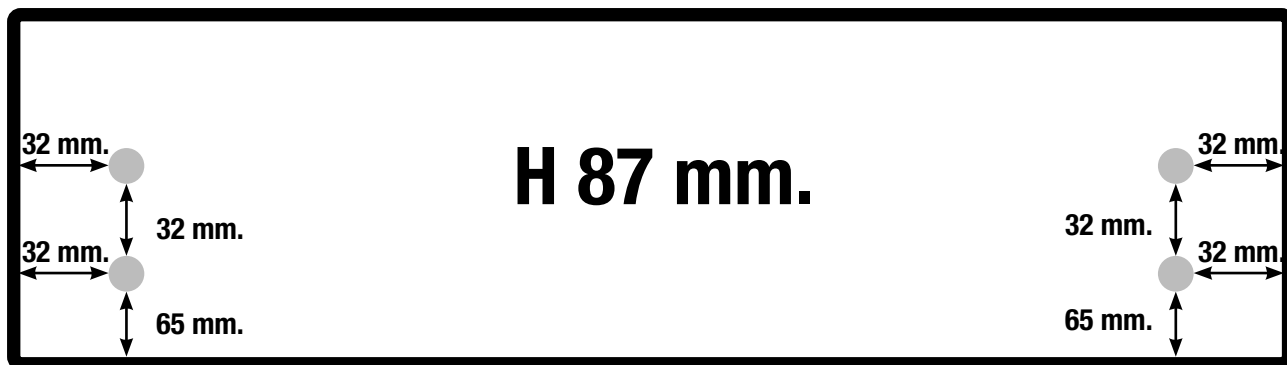


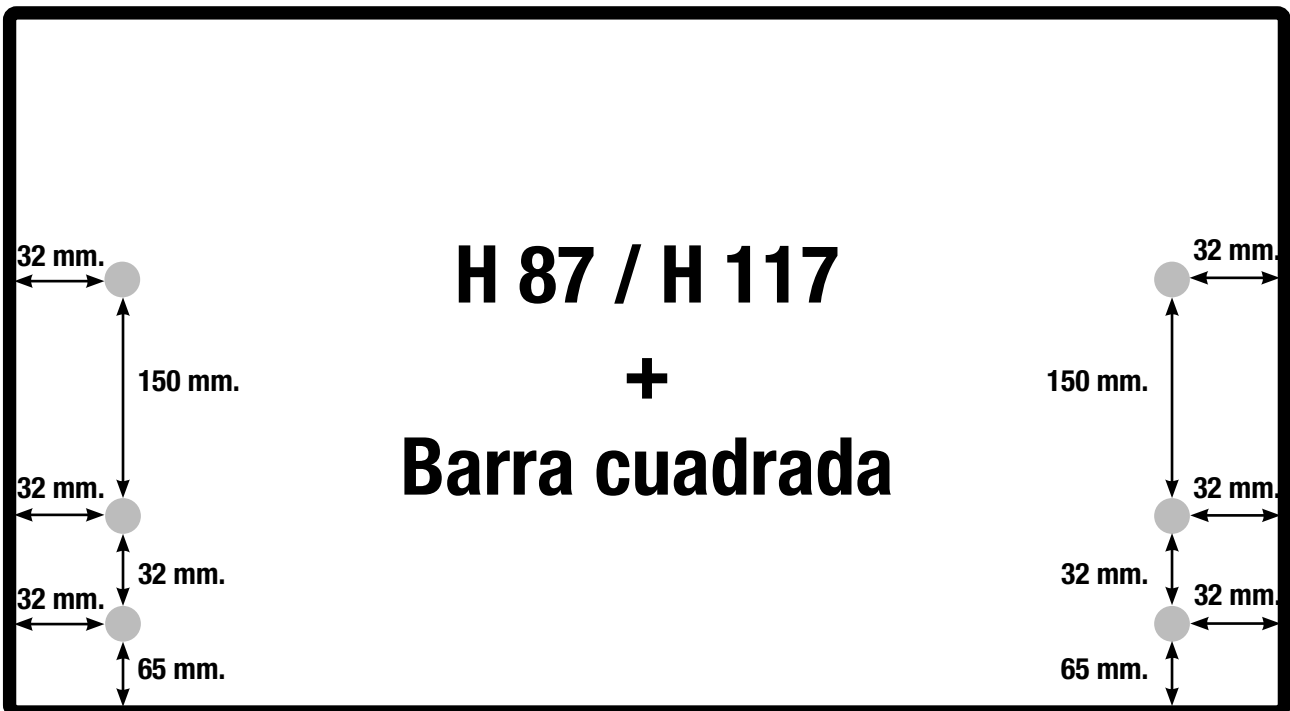


# ADVÄNCED

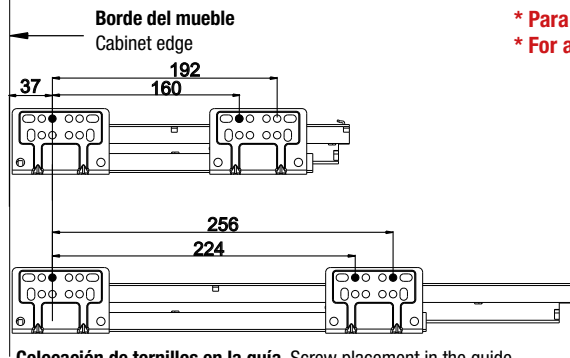
Serie **EV**  **LUTION**

Instalación frente / Medidas de corte de tablero





# Instalación frente / Medidas de corte de tablero



\* Para cualquier tipología de instalación hay que respetar las medidas mínimas marcadas en rojo.  
 \* For any type of installation, the minimum measures marked in red must be respected.

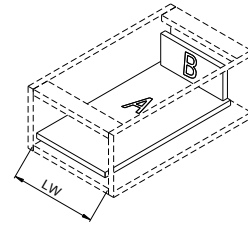
**300 - 400 mm.**

**450 - 500 mm.**

Colocación de tornillos en la guía. Screw placement in the guide.

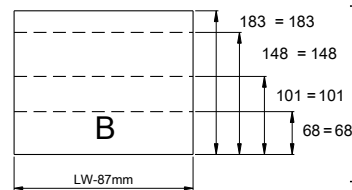
<p>68 mm. Cajón bajo. 68 mm. Lower Drawer</p>		
<p>101 mm. Cajón medio 101 mm. Medium Drawer</p>		
<p>148 mm. Cajón Alto 148 mm. High Drawer</p>		
<p>183 mm. Gaveta Barra 183 mm. High Square Bar Drawer</p>		
<p>183 mm. Gaveta Cristal 183 mm. High Glass Drawer</p>		

Panel inferior y posterior de 16 mm. de grueso.  
 Bottom and back panel measure 16 mm. density panel.



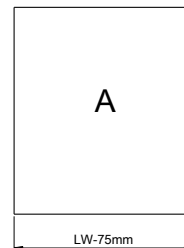
LW = Medida interior del mueble.  
 LW = Internal cabinet width.

B = Ancho trasera = LW - 87 +/- 0.5  
 B = Back width. = LW - 87 +/- 0.5

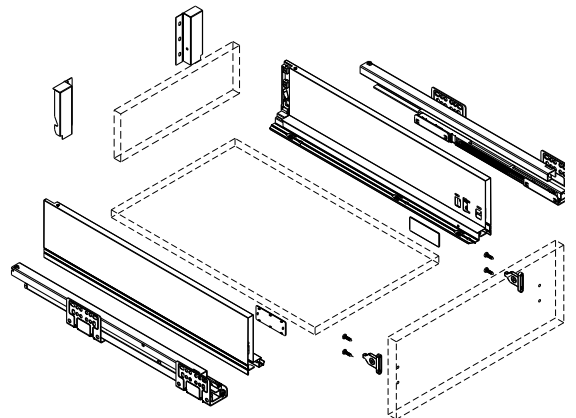


B = Alto trasera  
 B = Rear height.

A = Fondo Base = Longitud nominal de la guía - 8 +/- 0.5  
 A = Base Fund. = Nominal length of the guide - 8 +/- 0.5



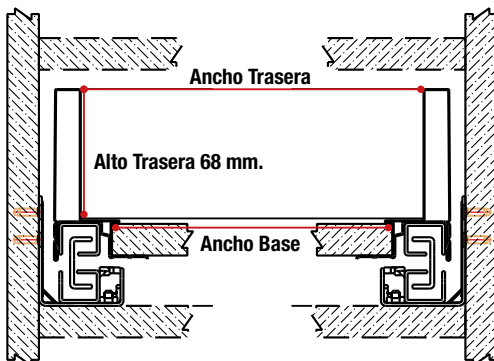
A = Ancho Base = LW - 75 +/- 0.5  
 A = Base Width. = LW - 75 +/- 0.5



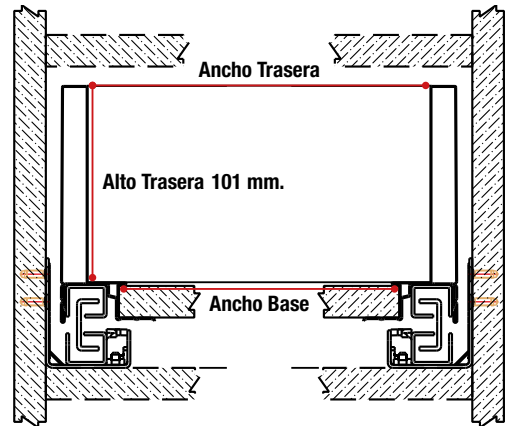


Ancho Frente	Ancho Base	Fondo Base	Ancho Trasera	Alto Trasera			
				H90	H130	H180	C/Barra
30 cms.	193 mm.	492 mm.	181 mm.	68 mm./101 mm./148 mm./183 mm.			
35 cms.	243 mm.	492 mm.	231 mm.	68 mm./101 mm./148 mm./183 mm.			
40 cms.	293 mm.	492 mm.	281 mm.	68 mm./101 mm./148 mm./183 mm.			
45 cms.	343 mm.	492 mm.	331 mm.	68 mm./101 mm./148 mm./183 mm.			
50 cms.	393 mm.	492 mm.	381 mm.	68 mm./101 mm./148 mm./183 mm.			
60 cms.	493 mm.	492 mm.	481 mm.	68 mm./101 mm./148 mm./183 mm.			
70 cms.	593 mm.	492 mm.	581 mm.	68 mm./101 mm./148 mm./183 mm.			
80 cms.	693 mm.	492 mm.	681 mm.	68 mm./101 mm./148 mm./183 mm.			
90 cms.	793 mm.	492 mm.	781 mm.	68 mm./101 mm./148 mm./183 mm.			
100 cms.	893 mm.	492 mm.	881 mm.	68 mm./101 mm./148 mm./183 mm.			
120 cms.	1093 mm.	492 mm.	1081 mm.	68 mm./101 mm./148 mm./183 mm.			

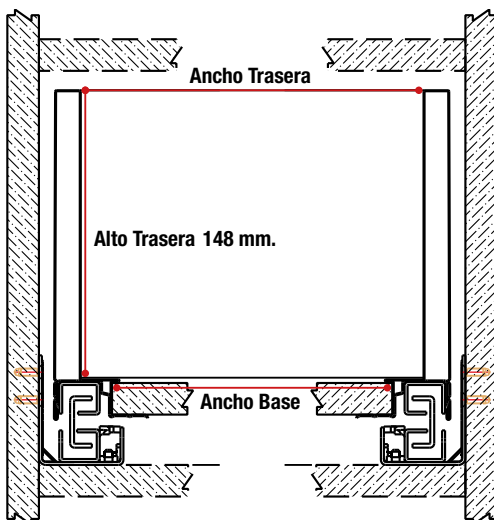
**i** Medidas para costado de 16 mm.



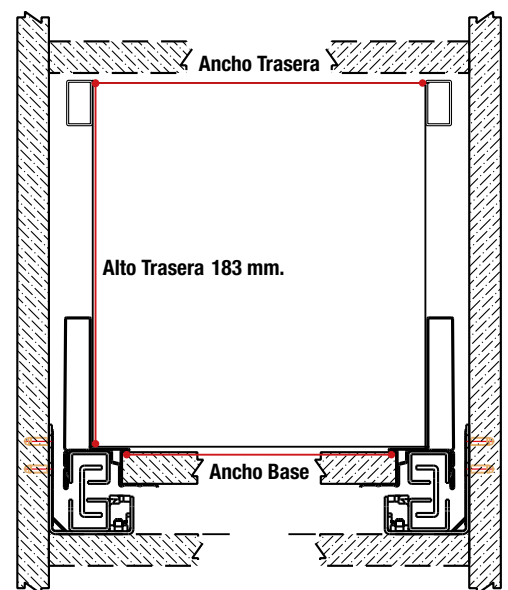
**H87**



**H117**



**H167**



**H87/H117+Jgo. Barras**



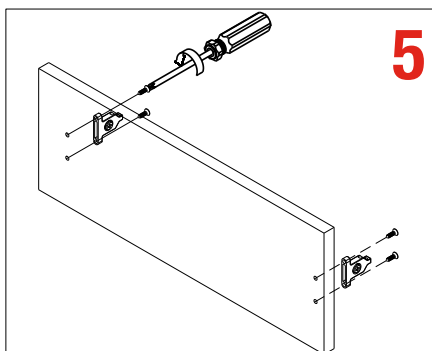
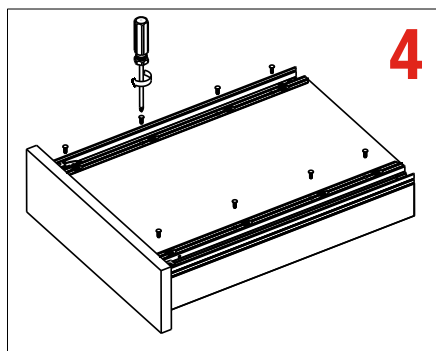
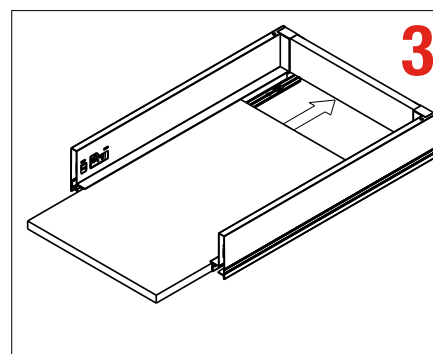
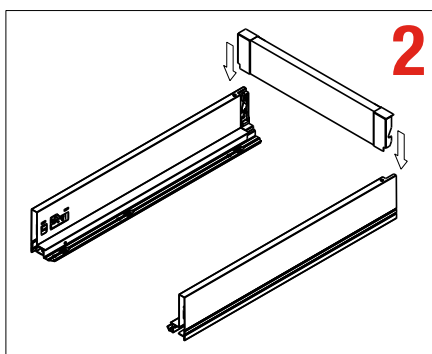
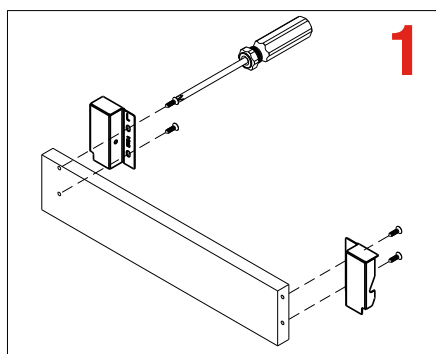


# ADVÄNCED

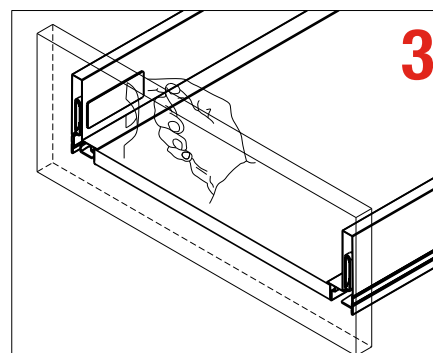
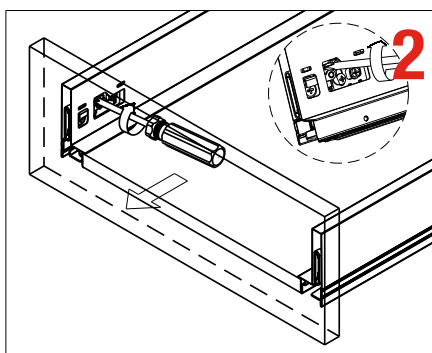
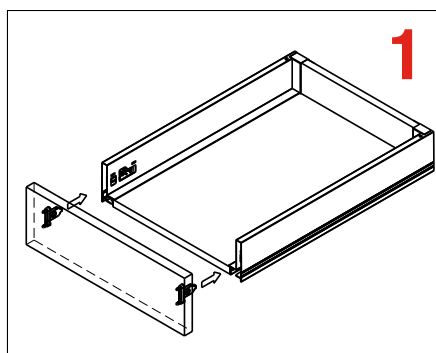
Serie **EV**  **LUTION**

Montaje / Ajuste del frente / Desmontaje / Montaje de Barras

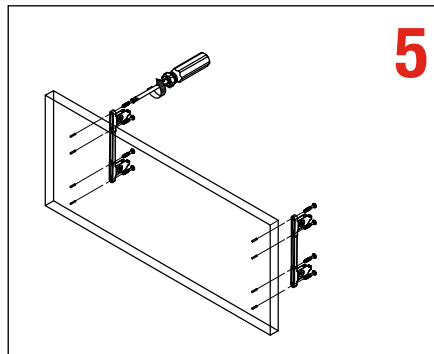
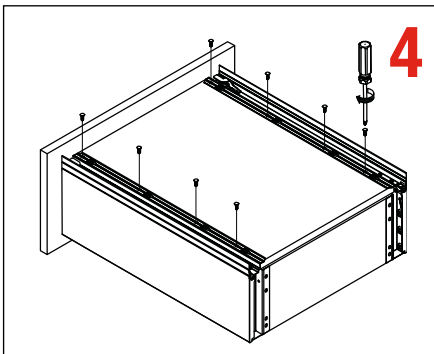
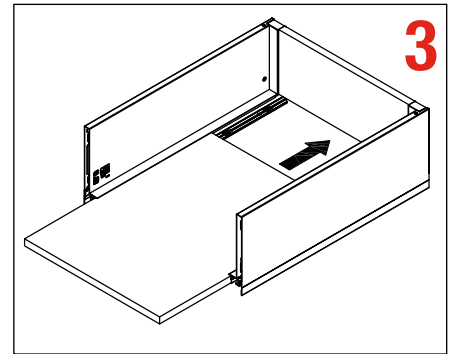
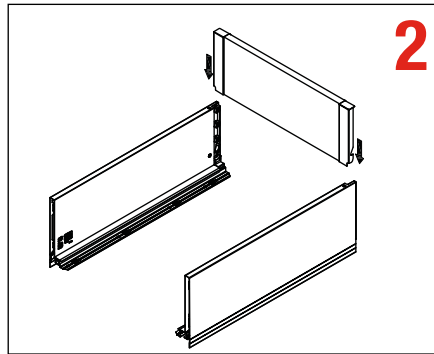
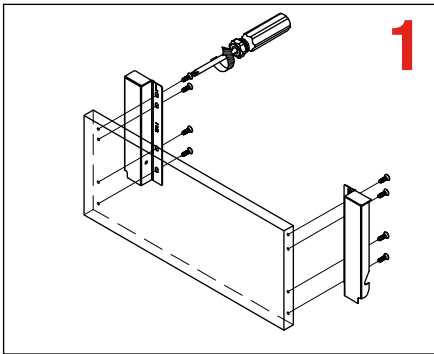
Montaje del cajón H87 / H117



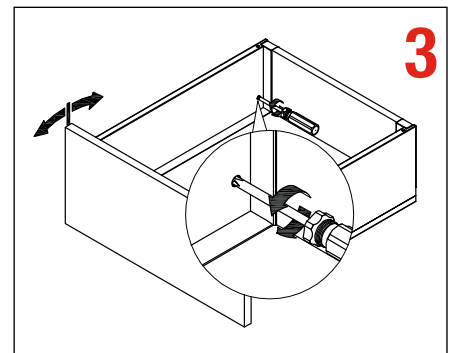
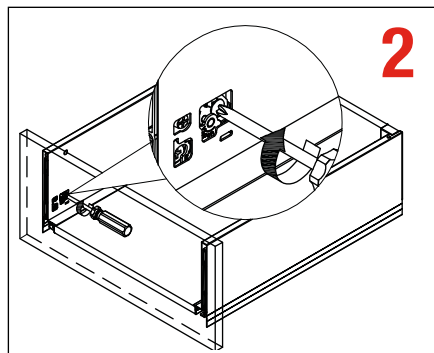
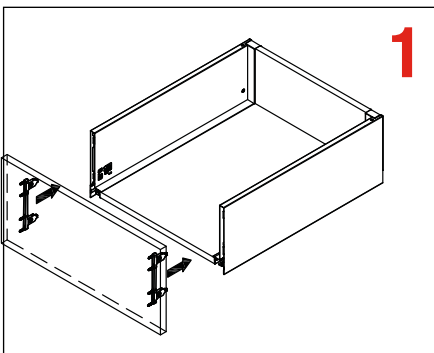
Ajuste del frente cajón H90 / H130



**Montaje del cajón H167**

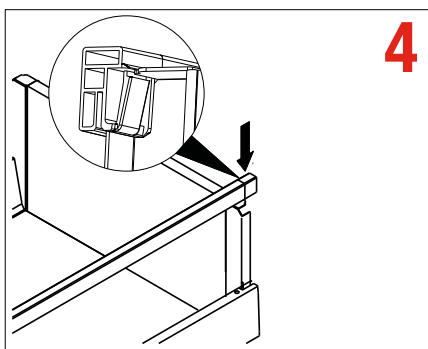
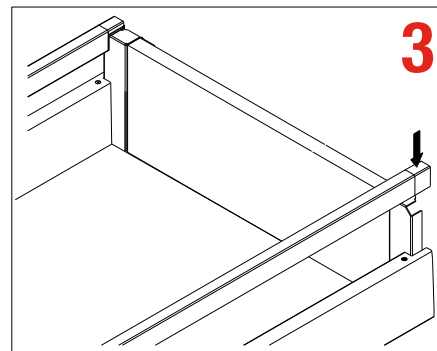
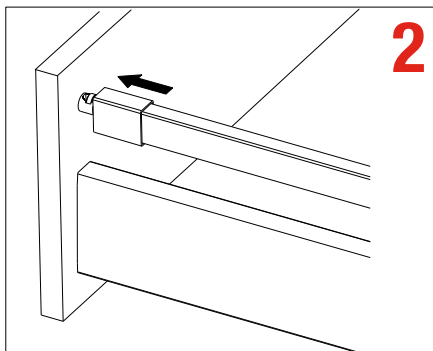
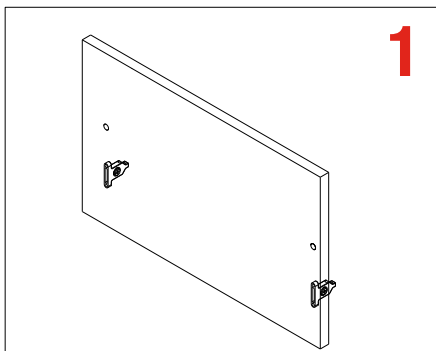


**Ajuste del frente cajón H180**

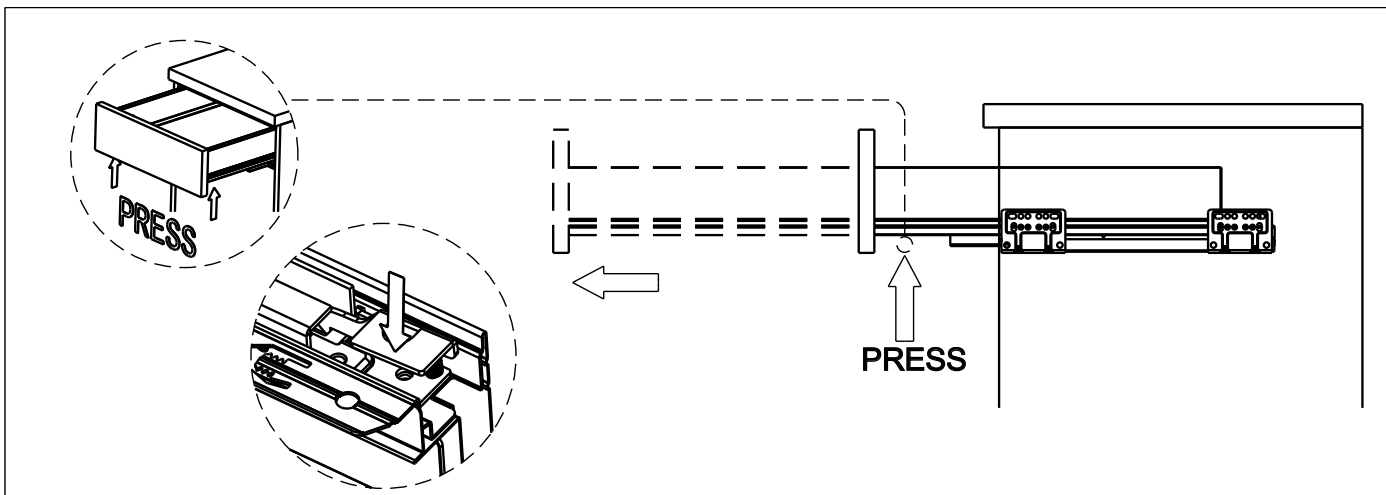
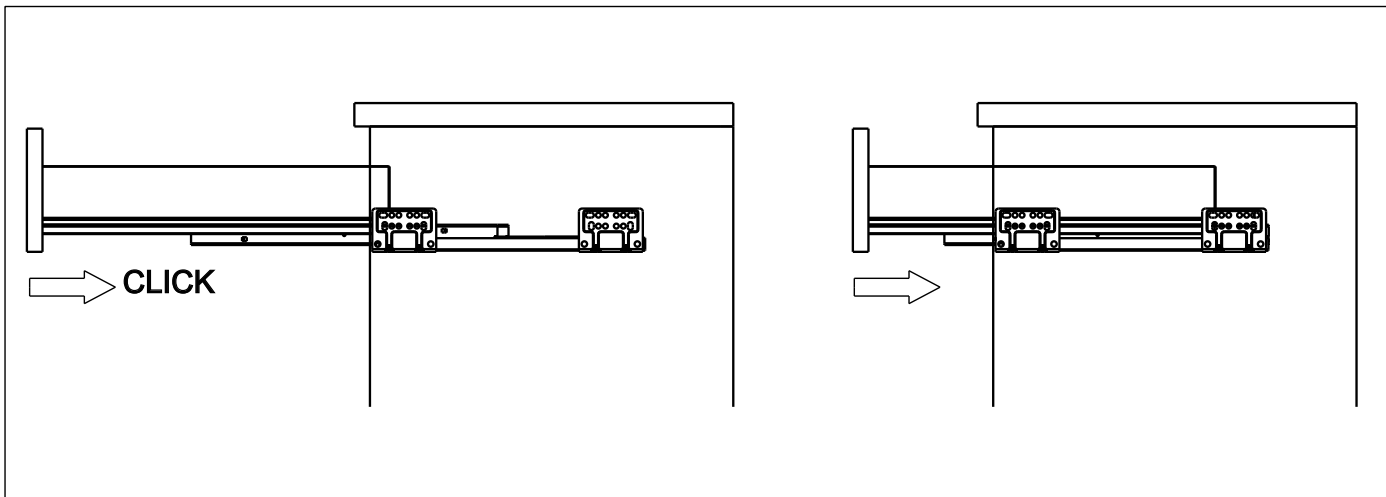


**NO MANIPULAR LA REGULACIÓN DE ALTURA antes de fijar el frente al lateral del cajón.**

Montaje del cajón H90 / H130 + Barras



Montaje / Desmontaje del cajón





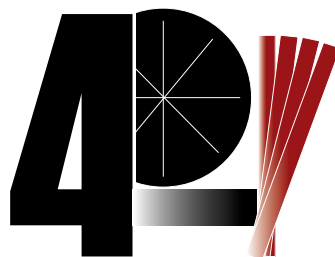
Regulación altura

Desbloqueo frente Regulación lateral

Tornillo de bloqueo  
**WARNING**

# WARNING

MUY IMPORTANTE EL **TORNILLO DE BLOQUEO** HABRÁ QUE LIBERARLO ANTES DE INICIAR LA REGULACIÓN DEL FRENTE Y VOLVER A BLOQUEARLO UNA VEZ FINALIZADA LA REGULACIÓN.



4ª Dimensión







# ADVÄNCED

Serie **EV**OLUTION

Certificado de calidad



The following sample(s) was / were submitted and identified on behalf of the client as:

Buyer Item No. : T068.500  
 Country of Origin : CHINA  
 Sample Receiving Date : Jun.05, 2018  
 Test Performing Date : Jun.05, 2018 to Jun.19, 2018

**Test Result Summary**

Test(s) Requested	Result(s)
Slide durability test with reference to clause 6.3.8 of EN 15338:2007	PASS

**Summary:**

- For further details, please refer to the following page(s).

Signed for and on behalf of  
 Shunde Branch  
 SGS-CSTC Co., Ltd.

Hary Nie  
 Approved signatory



Unless otherwise agreed in writing, this document is issued by the Company subject to its General Conditions of Service printed overleaf, available on request or accessible at <http://www.sgs.com/en/Terms-and-Conditions.aspx> and, for electronic format documents, subject to Terms and Conditions for Electronic Documents at <http://www.sgs.com/en/Terms-and-Conditions/Terms-e-Documents.aspx>. Attention is drawn to the limitation of liability, indemnification and jurisdiction issues defined therein. Any holder of this document is advised that information contained hereon reflects the Company's findings at the time of its intervention only and within the limits of Client's instructions, if any. The Company's sole responsibility is to its Client and this document does not exonerate parties to a transaction from exercising all their rights and obligations under the transaction documents. This document cannot be reproduced except in full, without prior written approval of the Company. Any unauthorized alteration, forgery or falsification of the content or appearance of this document is unlawful and offenders may be prosecuted to the fullest extent of the law. Unless otherwise stated the results shown in this test report refer only to the sample(s) tested and such sample(s) are retained for 30 days only.

Attention: To check the authenticity of testing / inspection report & certificate, please contact us at telephone: (86-755) 8307 1443, or email: [CN.Doccheck@sgs.com](mailto:CN.Doccheck@sgs.com)

SGS-CSTC Inspection & Testing Services Co., Ltd. | 1F, Building European Industrial Park, No.1 Shunde South Road, Muzha Section, Daliang Town, Shunde, Foshan, Guangdong, China | 528333 | t (86-757)22805888 | f (86-757)22805858 | www.sgs.com.cn  
 中国·广东·佛山市顺德区大良街道办事处五沙顺和南路1号欧洲工业园一号楼首层 邮编: 528333 | t (86-757)22805888 | f (86-757)22805858 | e [sgs.china@sgs.com](mailto:sgs.china@sgs.com)

TESTS AND RESULTS

**Test Conducted:**

Slide durability test with reference to clause 6.3.8 of EN 15338:2007.

**General Test Condition:**

The following test program was conducted in a laboratory environment maintained at 15°C to 25°C and 50%±5 RH. The sample was individually tested after conditioning in the test environment for at least 24 hours prior to conducting the test.

The complete detailed procedures may be found in the referenced specification and are only summarized herein. Unless otherwise specified, the tests are carried out in the following order the same sample.

**No. of Sample:**

1 Pair (Sample 1). For more sample information and pictures, please refer to the following page.

Test and Requirements	Test Results
<p><b>6.3.8 Durability test</b>                      Open and close the extension element gently and without supporting the front for 100,000 cycles specified by applicant.                      Open from the fully closed position to the point at which one-third of the inside length (depth) of the extension element, or at least 100 mm, remains inside the test frame. For extension elements, which are equipped with any sort of built-in stop in the open position, fully open the extension element without forcing the stop. If the extension element has a damper and/or a catch device, including a self opening or a self closing mechanism, this shall be allowed to operate at each cycle. Open and close the extension element via the force application point at a rate of 4 to 15 cycles per minute. The extension element shall fulfil its function and When the loading capacity is less than 40 kg, the opening and closing forces determined shall not exceed 50 N, When the loading capacity is not less than 40 kg, the opening and closing forces determined shall not exceed 12,5 % of the loading capacity.</p>	<p>PASS</p>

**Remark:**

1. The total load 35 kg and cyclic number 100,000 were specified by client;
2. The dimension of testing drawer is 530 mm(W) by 510 mm(L) by 87 mm(H);
3. For the sample information and pictures, please refer to the following page.



Unless otherwise agreed in writing, this document is issued by the Company subject to its General Conditions of Service printed overleaf, available on request or accessible at <http://www.sgs.com/en/Terms-and-Conditions.aspx> and, for electronic format documents, subject to Terms and Conditions for Electronic Documents at <http://www.sgs.com/en/Terms-and-Conditions/Terms-e-Documents.aspx>. Attention is drawn to the limitation of liability, indemnification and jurisdiction issues defined therein. Any holder of this document is advised that information contained hereon reflects the Company's findings at the time of its intervention only and within the limits of Client's instructions, if any. The Company's sole responsibility is to its Client and this document does not exonerate parties to a transaction from exercising all their rights and obligations under the transaction documents. This document cannot be reproduced except in full, without prior written approval of the Company. Any unauthorized alteration, forgery or falsification of the content or appearance of this document is unlawful and offenders may be prosecuted to the fullest extent of the law. Unless otherwise stated the results shown in this test report refer only to the sample(s) tested and such sample(s) are retained for 30 days only.  
 Attention: To check the authenticity of testing / inspection report & certificate, please contact us at telephone: (86-755) 8307 1443, or email: CN.Doccheck@sgs.com

SGS-CSTC Shenzhen Technical Services Co., Ltd.  
 Shunde Branch Hallmark

1F, Building European Industrial Park, No.1 Shunde South Road, Meishe Section, Daikang Town, Shunde, Foshan, Guangdong, China 528333 t (86-757)22805888 f (86-757)22805858 www.sgs.com.cn  
 中国·广东·佛山市顺德区大良街道办事处五沙顺和南路1号欧洲工业园一号楼首层 邮编: 528333 t (86-757)22805888 f (86-757)22805858 e sgs.china@sgs.com

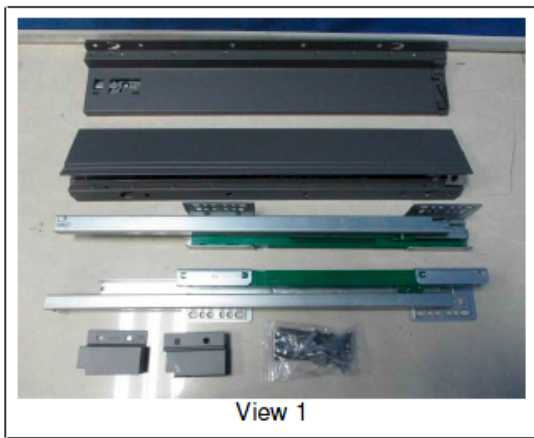
**SAMPLE INFORMATION AND PICTURES**

Weight: 1065 g / piece

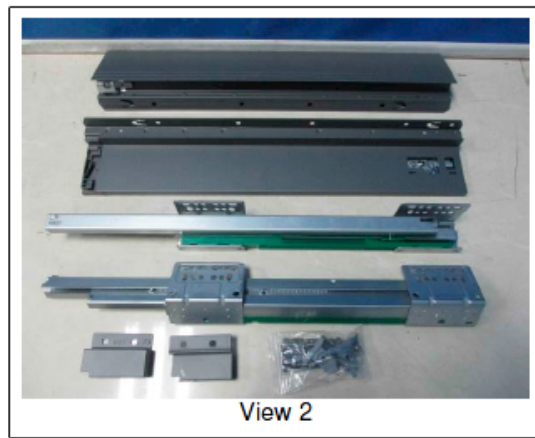
Length: 495 mm

Other Dimensions: /

**Sample as Received**



View 1



View 2



View 3



View 4

\*\*\*End of Report\*\*\*



Unless otherwise agreed in writing, this document is issued by the Company subject to its General Conditions of Service printed overleaf, available on request or accessible at <http://www.sgs.com/en/Terms-and-Conditions.aspx> and, for electronic format documents, subject to Terms and Conditions for Electronic Documents at <http://www.sgs.com/en/terms-and-conditions/terms-e-document.aspx>. Attention is drawn to the limitation of liability, indemnification and jurisdiction issues defined therein. Any holder of this document is advised that information contained hereon reflects the Company's findings at the time of its intervention only and within the limits of Client's instructions, if any. The Company's sole responsibility is to its Client and this document does not exonerate parties to a transaction from exercising all their rights and obligations under the transaction documents. This document cannot be reproduced except in full, without prior written approval of the Company. Any unauthorized alteration, forgery or falsification of the content or appearance of this document is unlawful and offenders may be prosecuted to the fullest extent of the law. Unless otherwise stated the results shown in this test report refer only to the sample(s) tested and such sample(s) are retained for 30 days only.

Attention: To check the authenticity of testing / inspection report & certificate, please contact us at telephone: (86-755) 8307 1443, or email: [CN.Doccheck@sgs.com](mailto:CN.Doccheck@sgs.com)

1F, Building European Industrial Park, No.1 Shunde South Road, Wusha Section, Daliang Town, Shunde, Foshan, Guangdong, China 528333 t (86-757)22805888 f (86-757)22805858 www.sgs.com.cn  
 中国·广东·佛山市顺德区大良街道办事处五沙顺和南路1号欧洲工业园1号厂房首层 邮编: 528333 t (86-757)22805888 f (86-757)22805858 e [sgs.china@sgs.com](mailto:sgs.china@sgs.com)



