



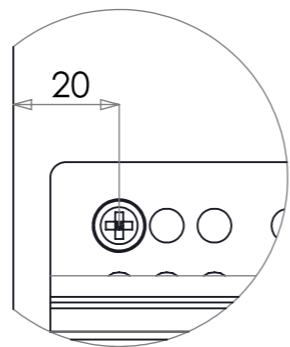
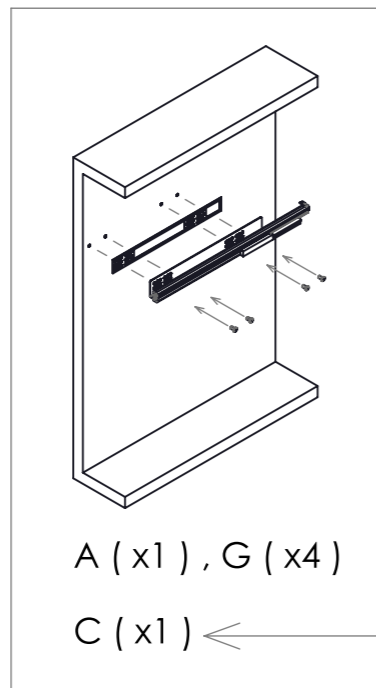
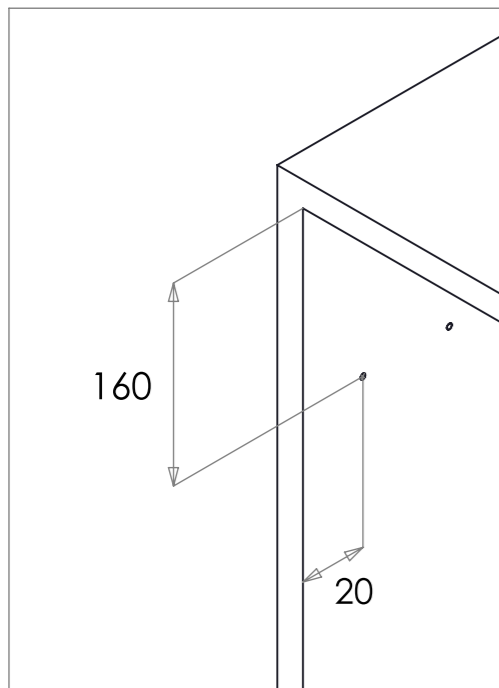
Herrajes técnicos para mobiliario

BLOCK U - TOP 2.0

Components			
A (x1)	B (x1)	C (x2)	D (x1)
			E (x1)
F (x1)		G (x8)	



1



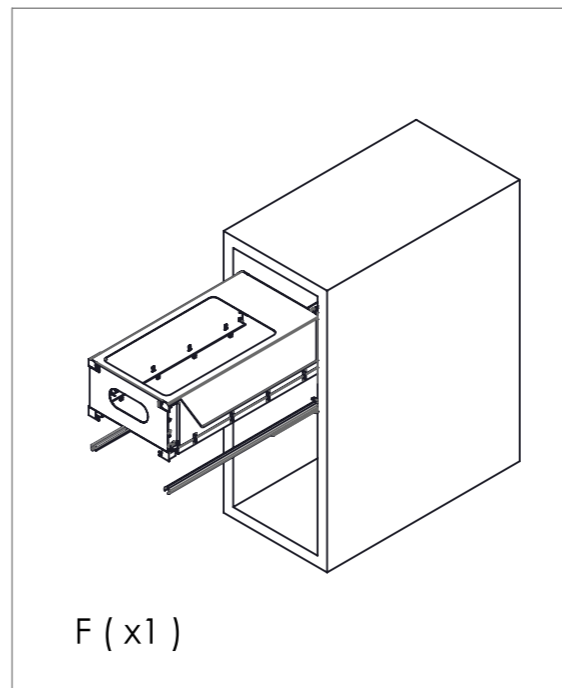
Repeat for the right side
B (x1) , G (x4) , C (x1)

A (x1) , G (x4)

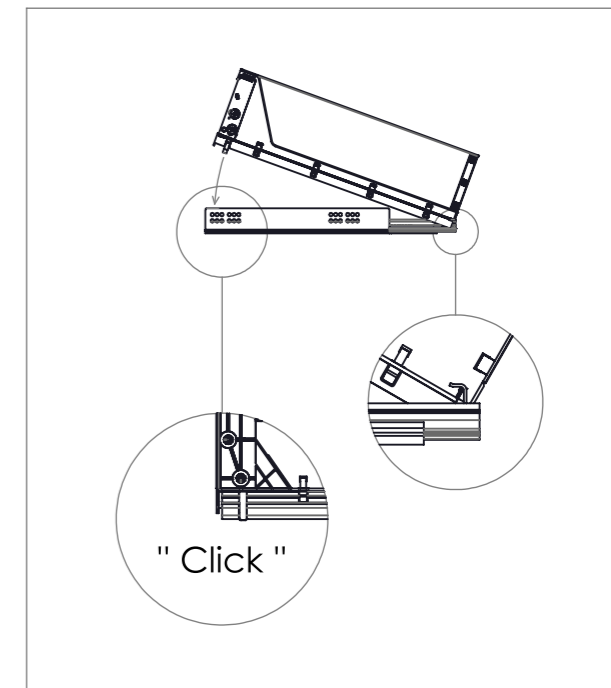
C (x1)

Only for 16 mm
side panel thickness

2

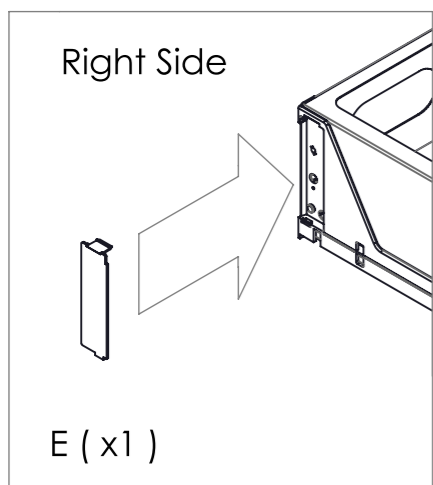


F (x1)



" Click "

3



Right Side

E (x1)

Repeat for the
Left Side

D (x1)



Drilling Template Slider (R)

P470

P420

P350

20

R

R

R

Base Starting Point