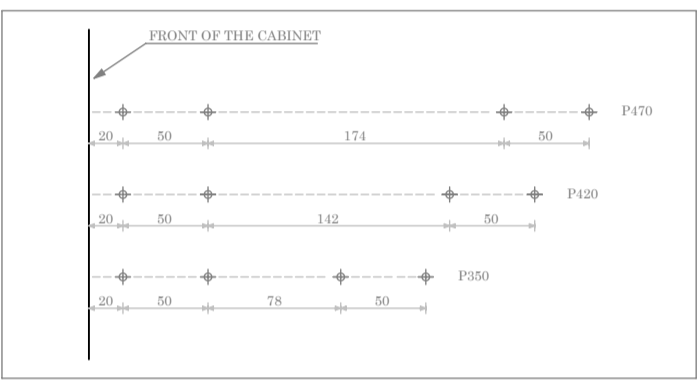
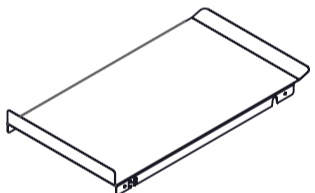



Hs	Hf
580	460
530	410
440	320
340	220
280	160
220	100

LEGEND




DRILLING LAYOUT



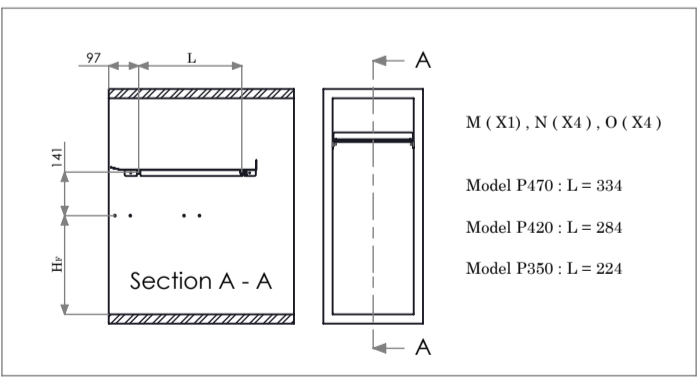


N (X4)



O (X4)

OPTIONAL COMPONENTS



M (X1), N (X4), O (X4)

Model P470 : L = 334

Model P420 : L = 284

Model P350 : L = 224

7

